



WORLDWIDE

WE

**PRODUCT CATALOGUE
VERSION 7.0**

SET.



**SOUTHERN
PUMPING**



Why choose Southern Pumping

Southern Pumping represents top-tier products, offering reliable, high-quality pump systems, components, and purpose-built solutions across mining, industrial and agricultural sectors.

At Southern Pumping, our globally recognized, high-quality products offer everything needed to build and maintain superior pump systems. Our knowledgeable team collaborates to ensure each system is expertly designed, manufactured, installed, and maintained to the highest standard.

We are committed to enhancing your pump systems, providing proactive solutions that improve performance—even in emergency repairs. Through reliable service, speedy product dispatch, and superior solutions, we become integral partners in your business, ensuring lasting trust and operational excellence.





Fast dispatch

Orders received before 12 noon are dispatched the same day, stock permitting. If it's urgent, overnight freight services are available.



Competitive pricing

Stable and competitive pricing is a high priority. We are committed to providing realistic pricing for specialised products. Talk to us for bulk quantity pricing.



Large stock quantities

Large warehouse facilities and continual inventory monitoring allows us to provide what you need when you need it!



Experience

Technical and practical experience comes only from decades of commitment to a pursuit. Since 1975 Southern Pumping has been focused on exceeding clients' expectations by drawing on our wealth of experience in the industry.



Quality products

Our products are offered to you with confidence! We invest every effort into rigorous testing procedures to ensure our specialised products fulfil the demands of their application.



Highest standards

We hold ourselves and our products to the highest national and international standards. We are ISO 9001 (Quality), ISO 45001 (Safety), and ISO 14001 (Environment) certified, along with JAS-ANZ accreditation, and strive for all products to meet relevant standards.



Contents

6

ACEQUIP

Pump control

Float Switches & Level Control	8
<small>Incl. Mac3</small>	
Pump Controllers	13
Pressure Switches	17
<small>Incl. Telemacanique and Condor</small>	
Pressure Switch Accessories	26
<small>Incl. Condor</small>	
Pressure Transducers	28
<small>Incl. Telemacanique</small>	
Flow Switches & Flow Meters	29
<small>Incl. Kelco</small>	
Motor Starters/ Motor Overload Relays	33
Liquid Level Alarms	34
Electrical Accessories	35
Motor Fans & Bushes	37
Capacitors	38
Pressure Gauges	42

46

MAXAFLEX

Flow motion

Bore Pump Accessories	48
Filtration	50
Pressure Tanks	52
<small>GWS exclusive distributor</small>	
Pump Manifolds	54
Threaded Flanges	56
Pump Bases	57
Valves & Fittings	59
<small>Incl. Jobe</small>	
Pressure Regulators	71
Braided Hoses	72

76

NUMBAT

There's a Numbat for that

Gaskets & Rubbers	78
Piston Pump Components	81
<small>Incl. Pump Buckets</small>	
Packing	84
Liquid Sealants	87
<small>Incl. Stag and Loxeal</small>	
Bearings	88
Mechanical Seals	90
Dairy/Spray Nozzles	109

ACEQUIP

Acequip specialises in high-quality electrical pump components like controllers, capacitors, flow meters and pressure switches, ensuring reliable performance and precision in electrical pump systems for diverse applications.

Float Switches & Level Control Incl. Mac3	8
Pump Controllers	13
Pressure Switches Incl. Telemacanique and Condor	17
Pressure Switch Accessories Incl. Condor	26
Pressure Transducers Incl. Telemacanique	28
Flow Switches & Flow Meters Incl. Kelco	29
Motor Starters/Motor Overload Relays	33
Liquid Level Alarms	34
Electrical Accessories	35
Motor Fans & Bushes	37
Capacitors	38
Pressure Gauges	42

Float Switches & Level Control

Float Switches

Description	Part No
5m PVC Cable	FS-5M
10m PVC Cable	FS-10M
20m PVC Cable	FS-20M
30m PVC Cable	FS-30M
50m PVC Cable	FS-50M
10m Neoprene Cable	FSN-10M
20m Neoprene Cable	FSN-20M



- Suitable for up to 250V
- Max current: 8 amps
- 3 wire for tank emptying or filling
- High quality construction
- Weight included

i Difference between PVC & Neoprene Cables

PVC - Stormwater applications
 Neoprene - Sewerage, greywater, grease applications

Description	Part No
5m PVC Cable	MAC3-5M
10m PVC Cable	MAC3-10M
25m PVC Cable	MAC3-25M
10m Neoprene Cable	MAC3N-10M



- Suitable for up to 250V
- Maximum current: 8 amps
- 3 wire for tank emptying or filling
- Genuine European product
- Weight included

Description	Part No
10m PVC Cable	KEY-10M



- Suitable for up to 250V
- Maximum current: 8 amps
- 3 wire for tank emptying or filling
- Genuine European product
- Weight included

Description	Part No
5m Neoprene Cable	SMALL-5M

- Suitable for up to 250V
- Maximum current: 8 amps
- 3 wire for tank emptying or filling
- Genuine European product
- Weight included



Description	Part No
10m Neoprene Cable	EFLY-10M A
20m Neoprene Cable	EFLY-20M A

- Heavy duty double liquid proof chamber construction ATEX Approved
- Tear drop style suitable for dirty water & sewage
- Suitable for up to 250V
- Maximum current: 10 amps
- Maximum 50°C operating temperature
- IP68 protection rating
- Genuine European product



Description	Part No
Fixed Column Type - 2 Wire	AGMA22
Adj/Bell Type - 5m Neoprene Cable - 3 Wire	AGMAW
Adj/Bell Type - 2 Wire	AGMAW-2

- Plastic construction
- Shallow pit applications
- 240V 8 amps



Description	Part No
Kit	M3PK-Z8
Probe only	MAC3-PROBE

- Includes relay, rail mount and 3 probes
- 240V
- Maximum current: 5 amps
- IP20 protection rating
- Can be used for tank filling and tank emptying
- Dial available to adjust probe sensitivity



Series 9010 Float Switches

Description	Part No
10m Neoprene Cable	9010-10
20m Neoprene Cable	9010-20
30m Neoprene Cable	9010-30

- Cable: Neoprene
- Housing: ABS
- Max voltage: 250V
- Max current: 6 amps
- Temperature range: 0-60°C
- Protection: IP68 @ 20m
- For sewerage applications



Piggy Back Float Switches

Description	Part No
5m Tank Empty	FSPB-5M TE
5m Tank Fill	FSPB-5M TF
10m Tank Empty	FSPB-10M TE
10m Tank Fill	FSPB-10M TF
20m Tank Empty	FSPB-20M TE
20m Tank Fill	FSPB-20M TF

- Tank empty - float switch activates when tank is full
- Tank fill - float switch activates when tank is empty



Top Mount Float Switch

Description	Part No
Top Mount Float Switch	TMFS-240

- 240V
- 7.5 amps rated
- Solid plastic construction
- Suitable for above tank mounting
- Adjustable control range of up to 5 metres
- Suitable for tank filling and tank emptying



FS 5 Float Switch

Description	Part No
Genuine PDL Float Switch	FS-5
Float Only	FS5/3
Suspension Line, operating stops and line weight	FS5/4

- 240V - up to 1.5kW
- Heavy duty cast alloy construction
- Suitable for above tank mounting
- Adjustable control range
- Fully scaled enclosure



Vertical Float Switch

Description	Part No
Chemical Compatible Ultra Small Vertical Float Switch	F7-PP

- 2 wire
- Max temperature: 105°C
- Max pressure: 6.89 bar
- 240V
- 0.14 amps
- Broad chemical compatibility
- M16 thread (1/2" connection MPT male)
- Epoxy/polypropylene construction
- L = 55mm x D = 30mm



Horizontal Float Switch

Description	Part No
Internal Horizontal Lever Type Float Switch	F6-HPS-11

- 2 wire, single acting
- Max temperature: 105°C
- Max pressure: 6.89 bar
- 240V
- 0.14 amps
- Broad chemical compatibility
- M16 x 2 thread
- Polypropylene construction



Float Switch Accessories

Description	Part No
Float Switch Bracket - fits 3	FSB-SS-3
Float Switch Bracket - fits 4	FSB-SS-4

- Stainless steel construction
- For mounting up to 3 or 4 float switches
- Glands included

Description	Part No
Float Switch Fixing Kit	FS-FK

- Secure mounting kit for fixing to pipe
- Fixing via cable ties, included in kit



Pump Controllers

Pump Controllers

Description	Part No
Pump Controller 1.5 Bar Cut In	PC-15
Pump Controller 2.2 Bar Cut In	PC-22

- 240V
- IP65 protection
- Max pressure: 10 bar
- Solid plastic quality construction
- Max power: 1.1kW
- 10 (6) amps rated
- Water temperature to 60°C max
- 1" male inlet & outlet
- Pre-wired plug
- 1.5 or 2.2 bar cut-in pressure



Auto Restart Pump Controller

Part No
ARPC-22

- 240V
- IP65 protection
- Max pressure: 10 bar
- Solid plastic quality construction
- Max power: 2.2kW
- 30 (16) amps rated
- Water temperature to 60°C
- 1 ¼" male inlet & outlet
- Pre-wire plug
- 2.2 bar cut-in pressure



Adjustable Pump Controller

Part No

APC-15

- 240V
- IP65 protection
- Max pressure: 10 bar
- Solid plastic quality construction
- 10 (6) amps rated
- Water temperature to 60°C max
- 1" male inlet & outlet
- Pre-wired plug
- Inbuilt pressure gauge
- Adjustable cut in pressure



Electronic Adjustable Pump Controller

Part No

APC-E

- Pre-wired plug & socket
- Digital display of operating pressure
- Adjustable parameters
- 1" connections
- Pressure rating: 10 bar
- Max power: 1.5kW (16(8) amps) 240V
- 2x optional working modes
 - Water flow mode
 - Adjustable start pressure set by user
 - Pump will stop on low/no flow
 - Factory start setting: 1.5 bar
 - Pressure mode
 - Adjustable start & stop pressures
 - Pressure tank recommended
 - Factory start setting: 1.4 bar
 - Factory stop setting: 3.5 bar



Logicpress Pump Controllers

Description	Part No
Logicpress Pump Controller 1.5 Bar Cut In	LP-15
Logicpress Pump Controller 2.2 Bar Cut In	LP-22
Logicpress Pump Controller	LPS-15

- Auto restart feature*
- Max pressure: 12 bar
- Replaceable pressure gauge
- 240V
- IP65 protection
- 1.5 or 2.2 bar cut-in
- Max power: 1.5kW
- Max temperature: 65°C
- 1" ports
- Genuine European product
- Plug & lead not included

i *Auto Restart Feature

The device will make 10 attempts to restart over a 24 hr period each lasting approx 5 seconds to allow the pump to resume normal operation if possible. After the last attempt to restart the pump will remain in alarm mode with the failure light flashing. This can be manually reset once fault has been rectified. Operator may manually reset the device at any time by pressing the restart button. If the pump has not been used for 24 consecutive hours the pump will carry out an automatic restart of the pump and run for 5 seconds. In case of a temporary blackout the device will automatically reset once the power returns.



Presscontrol Pump Controller

Part No
GPC-15

- Genuine Presscontrol
- European quality
- 240V
- IP65 protection
- Maximum pressure: 10 bar
- Water temperature: to 65°C max
- Maximum power: 1.5kW
- Maximum current: 16 (8) amps
- 1" male inlet & outlet
- Plug and lead not included
- 1.5 bar cut-in pressure



Mascontrol Pump Controller

Part No

GMC-15

- Genuine Mascontrol
- European quality
- 240V
- IP65 protection
- Maximum pressure: 12 bar
- 1.5 bar cut-in pressure
- Water temperature: to 65°C max
- Maximum power: 2.2kW
- Maximum current: 30 (16) amps
- 1 ¼" male inlet & outlet
- Plug and lead not included



Mascontrol 3 Phase Pump Controller

Part No

GMC-3PH

- Genuine Mascontrol
- European quality
- 3 Phase
- Maximum pressure: 12 bar
- 1.5 bar cut-in pressure
- Water temperature: to 60°C
- Maximum power: 2.2kW
- Maximum current: 6 amps
- 1 ¼" male inlet & outlet
- Plug not included



Controlpress Pump Controller

Part No

GCP

- Genuine Controlpress
- Max power: 2.2kW
- Max pressure: 12 bar
- Port sizes: 1 ¼"
- Minimum cut in pressure: 3 bar (adjustable)
- Plug and lead not included
- Pressure gauge fitted



Pressure Switches

Description	Part No
Pressure Switch STD 20-40	SPA-STD

- Range at rising pressure: 20 - 60 psi
- Differential at minimum setting: 14 - 30 psi
- Differential at maximum setting: 15 - 30 psi
- Factory setting: 20 - 40 psi
- Plastic base
- European quality



Description	Part No
Square D Pressure Switch - with plastic base	SQD-FSG2
Square D Pressure Switch - with steel base	SQD-STD

- Pressure range: 20 - 65 psi
- Mount 1/4" BSPF
- Factory setting: 20 - 40 psi
- Genuine Square D/Telemecanique



Description	Part No
Pressure Switch HP 30-50	SPA-HP

- Range at rising pressure: 40 - 100 psi
- Differential at minimum setting: 15 - 30 psi
- Differential at maximum setting: 20 - 40 psi
- Factory setting: 75 - 100 psi
- Can replace SQD-HP
- European quality



Description	Part No
Square D High Pressure Switch	SQD-HP

- Pressure range: 25 - 80 psi
- Mount 1/4" BSPF
- Factory setting: 30 - 50 psi
- Genuine Square D/Telemecanique



Description	Part No
Square D Loss of Prime Pressure Switch	SQD-LOP

- Pressure range: 20 - 65 psi
- With loss of prime reset lever
- Factory setting: 20 - 40 psi
- Mount ¼" BSPF
- Genuine Square D/Telemecanique



Description	Part No
Square D Loss of Prime Pressure Switch - High Pressure	SQD-HPLOP

- Pressure range: 25 - 80 psi
- With loss of prime reset lever
- Factory setting: 30 - 50 psi
- Mount ¼" BSPF
- Genuine Square D/Telemecanique



Description	Part No
Square D Reverse Action Pressure Switch	SQD-RA

- Pressure range: 65 - 23 psi
- Mount ¼" BSPF
- Factory setting: 40 - 20 psi
- Genuine Square D/Telemecanique



Description	Part No
Square D Reverse Action Loss of Prime Pressure Switch	SQD-RAL

- Pressure range: 65 - 23 psi
- With manual cut in lever
- Factory setting: 40 - 20 psi
- Mount ¼" BSPF
- Genuine Square D/Telemecanique



Description	Part No
Square D High Pressure Switch - with plastic base	SQD-FYG32

- Pressure range: 80 - 150 psi
- Mount ¼" BSPF
- Factory setting: 115 - 150 psi
- Plastic base
- Genuine Square D/Telemecanique



Description	Part No
Square D Pressure Switch	SQD-FHG

- Pressure range: 43 - 110 psi
- Fixed differential: 17 psi
- Factory setting: 83 - 100 psi
- Mount ¼" BSPF
- Genuine Square D/Telemecanique



Description	Part No
Square D Heavy Duty Pressure Switch	SQD-GHG

- Pressure range: 60 - 200 psi
- Mount ¼" BSPF
- Factory setting: 80 - 100 psi
- Heavy duty construction
- Genuine Square D/Telemecanique



Description	Part No
Square D Heavy Duty Reverse Action Pressure Switch	SQD-GHG-RA

- Pressure range: 200 - 60 psi
- Mount ¼" BSPF
- Factory setting: off 80 - on 100 psi
- Heavy duty construction
- Genuine Square D/Telemecanique



Description	Part No
Square D GAW1 Pressure Switch	SQD-GAW1

- Adjustable differential: 0.6 - 2 psi
- Max pressure: 100 psi
- Pressure range: 0.2 - 10 psi
- 10A current rating
- Designed for fire sprinkler applications
- Genuine Square D
- ½" connection
- Enclosure rating: NEMA4/4x/13
- Certifications: UL listed, CSA, certified as industrial control equipment
- 480V



Description	Part No
Square D GAW6 Pressure Switch	SQD-GAW6

- Adjustable differential: 10 - 49 psi
- Max pressure: 250 psi
- Pressure range: 5 - 250 psi
- 10A current rating
- Designed for fire sprinkler applications
- Genuine Square D
- ½" connection
- Enclosure rating: NEMA4/4x/13
- Certifications: UL listed, CSA, certified as industrial control equipment
- 480V
- Fire sprinkler
- Max pressure: 750 psi



Part No
XMP-06

- Genuine Telemecanique
- Factory setting: high point - 4.8 bar +/- 0.24 low point - 2.8 bar +/- 0.28
- Pressure range: 15 - 87 psi
- Mount ¼" BSPF
- IP 54



Part No
XMP-12

- Genuine Telemecanique
- Factory setting: high point - 8 bar +/- 0.50 low point - 5 bar +/- 0.50
- Pressure range: 18 - 174 psi
- Mount ¼" BSPF
- IP 54



Part No

XMP-12-3PH

- Genuine Telemecanique
- Factory setting: high point - 8 bar +/- 0.50 low point - 5 bar +/- 0.50
- Pressure range: 18 - 174 psi
- Suitable for 415V
- Mount 1/4" BSPF
- IP 54



Part No

XMP-25

- Genuine Telemecanique
- Factory setting: high point - 16 bar +/- 0.80 low point - 10 bar +/- 1.0
- Pressure range: 50 - 362 psi
- Mount 1/4" BSPF
- IP54



MDR1 Pressure Switches

Description	Part No
170-500 kPa range, adjustable diff, ¼" conn.	MDR1/6B4
600-1000 kPa range, adjustable diff, ¼" conn, on/off switch	MDR1/11S4

- Single phase (240V) suitable up to 2.2kW
- Not possible to install internal internal overload switch
- Suitable for pumps and air compressors
- 20A rated
- IP44



MDR2 Pressure Switches

Description	Part No
140-500 kPa range, adjustable diff, ¼" conn.	MDR2/6B4
800-1000 kPa range, adjustable diff, ¼" x 4 ports, on/off switch	MDR2/11S4

- Single phase (240V) suitable up to 1.5kW
- Not possible to install internal internal overload relay
- Suitable for pumps and air compressors
- 16A rated
- IP44



MDR3 Pressure Switches

Description	Part No
130-600 kPa range, adjustable diff., ½" conn, on/off switch	MDR3/6S8
400-1100 kPa range, adjustable diff., ¼" conn, on/off switch	MDR3/11S4
600-1600 kPa range, adjustable diff., ¼" conn, on/off switch	MDR3/16S4
130-600 kPa range, adjustable diff., ½" conn.	MDR3/6B8
400-1100 kPa range, adjustable diff., ¼" conn.	MDR3/11B4
600-1600 kPa range, adjustable diff., ¼" conn.	MDR3/16B4
750-2500 kPa range, adjustable diff., ½" conn.	MDR3/25B8
1200-3500 kPa range, adjustable diff., ½" conn.	MDR3/35B8



- 3 phase suitable (415V). All 3 phase motors will require overload (see page 26)
- Suitable for pumps and air compressors
- IP54
- Suitable for single phase up to 2.2kW and 3-phase up to 7.5kW off the shelf

MDR4 Pressure Switches

Description	Part No
150-600 kPa range, on/off switch, ¼" conn.	MDR4/6S4
400-1100 kPa range, on/off switch, ¼" conn.	MDR4/11S4
600-1600 kPa range, on/off switch, ¼" conn.	MDR4/16S4
850-2500 kPa range, on/off switch, ¼" conn.	MDR4/25S4
150-600 kPa range, transp. cover & scale, ¼" conn.	MDR4/6T4
400-1100 kPa range, transp. cover & scale, ¼" conn.	MDR4/11T4



- 3 phase suitable (415V)
- Switching capacity 5.5kWE for 3 phase and 2.2 kW for 1 phase motors
- Suitable for pumps and air compressors
- Internal overload not available
- IP44

MDR4 Pressure Switches - Reverse Action

Description	Part No
150-600 kPa range, reverse action ¼" conn.	MDR4/6R8
400-1100 kPa range, reverse action ¼" conn.	MDR4/11R8
600-1600 kPa range, reverse action ¼" conn.	MDR4/16R8

- 3 phase suitable (415V)
- Motor switching capacity 5.5kW for 3-phase and 2.2kW for 1-phase
- Suitable for pumps and air compressors
- Internal overload not available
- IP44



MDR43 Pressure Switches

Description	Part No
50-308 kPa range, ¼" conn.	MDR43/3T4
250-600 kPa range, ¼" conn.	MDR43/6T4
500-1100 kPa range, ¼" conn.	MDR43/11T4
800-1600 kPa, ¼" conn.	MDR43/16T4

- 250V rated
- Suitable for fire protection systems, pumps and air compressors
- Great feature: switch action (1 x NO + 1 x NC) - 2-pole switch
- Motor switching capacity up to 0.6kW
- Preferred use is in switching control circuits - not DOL applications
- Internal overload not possible - external required
- IP44



MDR5 Pressure Switches

Description	Part No
150-500 kPa, on/off switch, ½" conn.	MDR5/5S8
200-800 Kpa, on/off switch, ½" conn.	MDR5/8S8
200-1100 kPa, on/off switch, ½" conn.	MDR5/11S8
250-1600 kPa, on/off switch, ½" conn.	MDR5/16S8
1308-4500 kPa, on/off switch, ½" conn.	MDR5/45S8

- 3 phase suitable (415V)
- Gold plated contacts
- Motor switching capacity 11kW for 3-phase
- Internal overload available for high amp applications (see page 27)
- IP54



MDR-F Pressure Switches - Fine Differential

Description	Part No
MDR-F 4HV-S 22-400 kPa range, Alum. Base, viton diaph, adjustable diff, 3/8" conn	MDRF/4A6
MDR-F 8H P/Switch, 20-800 kPa, alum. base, buna diaph., 3/8"	MDRF/8A6
MDR-F 8Y P/Switch, 20-800 kPa, poly base, buna diaph., 3/8"	MDRF/8P6
MDR-F 10YS 70-1000 kPa range, poly base, buna diaph, adjustable diff, 3/8" conn	MDRF/10P6
MDR-F 12HE P/Switch, 50-1200 kPa, stainless base/diaph., 1/4"	MDRF/12SS4

- Suitable for single phase only
- Suitable for pumps and air compressors
- Control style switch - not suitable for DOL applications
- Fine differential as low as 0.3 bar differential
- IP54



Pressure Switch Accessories

MDR3 Accessories

Description	Part No
MDR3 Mounting Bracket	MDR3/MB
Overload Relay, 0.63-1.00 amps	R3/1.0
Overload Relay, 1.00-1.60 amps	R3/1.6
Overload Relay, 1.60-2.50 amps	R3/2.5
Overload Relay, 2.50-4.00 amps	R3/4.0
Overload Relay, 4.00-6.30 amps	R3/6.3
Overload Relay, 6.30-10.00 amps	R3/10.0
Overload Relay, 10.00-16.00 amps	R3/16.0
Overload Relay, 16.00-20.00 amps	R3/20.0
Overload Relay, 20.00-24.00 amps	R3/24.00
2 Pole Relay, 24.00-30.00 amps	R3/30/2
Cable Gland Complete	CG11-3
Cable Gland Complete	CG13.5-3
Unloader Valve suit 1/4" plastic/copper line	EV-3I



- Unloader valves recommended for air compressor applications

MDR4 Accessories

Description	Part No
Cable Gland Complete	CG11-4
Cable Gland Complete	CG13.5-4
Cable Gland with strain relief	CG13.5-4Z
Mounting Bracket	MDR4/43/MB
Unloader Valve suit 1/4" plastic/copper line	EV-4I



- Unloader valves necessary (optional) for air compressor applications

MDR43 Accessories

Description	Part No
Cable Gland	CG11-4
Cable Gland	CG13.5-4
Cable Gland with strain relief	CG13.5-4Z
Mounting Bracket	MDR4/43/MB



MDR5 Accessories

Description	Part No
Cable Gland Complete	CG16-5
Red Gland with strain relief	CG16-5R
Mounting Bracket	MDR5/MB
Overload Relay, 0.86-1.50 amps	R5/1.5
Overload Relay, 1.50-2.45 amps	R5/2.45
Overload Relay, 2.40-4.20 amps	R5/4.2
Overload Relay, 4.00-7.00 amps	R5/7.0
Overload Relay, 6.10-10.30 amps	R5/10.3
Overload Relay, 9.00-14.00 amps	R5/14.0
Overload Relay, 11.00-14.00 amps	R5/18.0
Unloader Valve suit 1/4" Plastic/copper line	EV-5EI



- Overload relays are required to match motor amp draw is higher than switch standard load
- Unloader valve suggested for air compressor applications

Pressure Switch Fittings

Description	Part No
1/4" BSP 90° Elbow	50098
1/4" BSP Tee	50412
1/4" BSP M & F Union	50502
1/4" BSP Nipple	50252



- For mounting pressure switches
- Brass construction

Pressure Transducers

Description	Part No
6 Bar	XMLK-06
10 Bar	XMLK-10
16 Bar	XMLK-16
25 Bar	XMLK-25

- Genuine Telemecanique
- Output signal: analogue 4-20mA
- ¼ BSPM connection
- Maximum temperature: 80°C

Description	Part No
DIN43650-A Connector	XMLK-CON

- Suit XMLK pressure transducers
- IP65 protection
- Current rating 16A
- Locking screw cable gland



Flow Meters & Flow Switches

Battery Powered Flow Meters

Description	Part No
25mm AGM Battery Powered Polypropylene Electromagnetic Flow Meter	AGM-B-25
50mm AGM Battery Powered Polypropylene Electromagnetic Flow Meter	AGM-B-50
80mm AGM Battery Powered Polypropylene Electromagnetic Flow Meter	AGM-B-80



- Applications include: industrial wastewater discharge, water recycling systems, irrigation, water well pump stations
- Accuracy: +/-1% from 10% to 100% of full-scale range
- Powered by 6 x AA batteries
- Battery life: 1 year with the flow meter in use, 3 years in sleeping mode
- LCD display: 128x64 px graphical
- Empty pipe detection and battery saving mode
- Body material: polypropylene with stainless steel electrodes
- Working pressure: 150 psi

Powered Flow Meters

Description	Part No
50mm Externally Powered AGMP Electromagnetic Flow Meter	AGMP-50
80mm Externally Powered AGMP Electromagnetic Flow Meter	AGMP-80



- Applications include: industrial wastewater discharge, water recycling systems, irrigation, water well pump stations
- 4 x stainless steel electrodes
- LCD 128 x 64 px graphical display screen
- Power supply: 9-35 VDC (external power supply)
- BSP threaded connections (male)
- Bi-directional measurement

Electromagnetic Flow Meter - With Display

Description	Part No
35mm Electromagnetic Flow Meter - with display	MGE1-25
50mm Electromagnetic Flow Meter - with display	MGE1-50
80mm Electromagnetic Flow Meter - with display	MGE1-80

- IP67 rated
- Display values include flow range, volume, total and batch volume
- LCD 128 x 64 px graphical display screen with sleep mode and a 3 touch button control
- Bi-directional
- 4 electrodes, 2 built-in for earthing
- Power supply: 9-35 VDC
- Table E
- 4-20mA output
- External power supply: 9-35 VDC
- Suitable for industrial applications - conductive fluids



Electromagnetic Flow Meter - No Display

Description	Part No
35mm Electromagnetic Flow Meter - no display	MGS1-25
50mm Electromagnetic Flow Meter - no display	MGS1-50
80mm Electromagnetic Flow Meter - no display	MGS1-80

- No display
- IP68
- Table E
- 3m cable
- 4 electrodes, 2 built-in for earthing - Hastelloy
- External power supply: 24 VDC
- Bi-directional
- PN40 pressure rated
- Suitable for industrial applications - conductive fluids



Flow Switches

Description	Part No
Inline Paddle Flow Switch	FS-2-BSPT

- Bellow: tin-bronze
- Vane: stainless steel
- Body: forged brass
- Temperature limit: 230°F (110°C)
- Pressure limit: 145 psig (10 bar)
- Enclosure rating: NEMA 4 (IP64)
- Switch type: SPDT snap switch
- Electrical rating: 10A res, 3A ind @ 250 VAC
- Adjustable paddle



Description	Part No
European Inline Paddle Flow Switch	H10AR

- European quality
- 25mm BSP thread
- For use in 25mm to 100mm pipe
- Minimum flow: 20 l/min
- Max pressure: 10 bar
- Max temperature: 100°C
- Current: 10 (4) amps
- Delayed pump start: 0-13 sec

This unit has a relay built-in which allows power to the pump on start up and disengages after a set time which is adjustable from 0-13 seconds. This means the pump will always re-start when the power is turned off then on such as where a pressure switch is wired into the circuit.



Description	Part No
European Inline Paddle Flow Switch	V10AR

- European quality
- 25mm BSP thread
- Minimum flow: 5 l/min
- Max pressure: 10 bar
- Max temperature: 85°C
- Current: 10 (4) amps
- Delayed pump start: 0-13 sec

This unit has a relay built-in which allows power to the pump on start up and disengages after a set time which is adjustable from 0-13 seconds. This means the pump will always re-start when the power is turned off then on such as where a pressure switch is wired into the circuit.



Paddle Type Flow Switches

Description	Part No
Inline Flow Switch Poly	F-H-25B
Inline Flow Switch Stainless Steel	F-H-25B-SS

- Max pressure: 18 bar
- Max temperature: 60°C
- Heavy duty and sensitive
- IP67 protection rating
- Up to 500V
- 1" BSPT
- Maximum current: 15 amps



Trailing Wire Flow Switch

Description	Part No
Inline Flow Switch	TW21-S-BSP-180

- Max pressure: 18 bar
- Max temperature: 60°C
- Heavy duty and sensitive
- Suitable for open flow & slurry applications
- Up to 500V
- Maximum current: 15 amps
- IP67 protection rating
- 1" BSPT
- Poly construction



F29 Electronic Flow Switches

Part No
F29-MK3
F29-MK3-SS

- Max pressure 18 bar
- Max temperature 60°C
- Simple to program
- 10 programmable timers
- 40 amp solid state switch
- Suits pipes 25mm & larger
- Paddle type
- Multi voltage operation
- 16 amp alarm relay
- Accepts remote input
- Weatherproof housing



F60 Electronic Flow Switch

Part No
F60-MK3

- Max pressure 20 bar
- Max temperature 60°C
- Simple to program
- Displays pressure & set points
- 40 amp solid state switch
- Suits pipes 25mm & larger
- Weatherproof housing
- Multi voltage operation
- 15 programmable timers
- 16 amp alarm relay
- Accepts remote input
- Paddle



Motor Starters/ Motor Overload Relays

DOL Motor Starters

Overload Range Amps	kW	Voltage	Part No
2.6-3.7	0.37	240	LE1M35U710
3.7-5.5	0.75	240	LE1M35U712
5.5-8.0	1.1	240	LE1M35U714
8.0-11.5	1.5	240	LE1M35U716
10.0-14.0	1.8	240	LE1M35U721
12.0-16.0	2.2	240	LE1M35U722
2.6-3.7	1.5	415	LE1M35N710
3.7-5.5	2.2	415	LE1M35N712
5.5-8.0	3	415	LE1M35N714
8.0-11.5	4	415	LE1M35N716
10.0-14.0	5.5	415	LE1M35N721
12.0-16.0	7.5	415	LE1M35N722

- IP65
- Suitable for low voltage switches, switching high voltage motors



Liquid Level Alarms

Liquid Level Alarms

Amps	Version	Part No
5-16	Standard	FPC-12650
5-16	Deluxe	FPC-12651

- Designed to provide warning indication when storage (effluent, grey water, rain water etc) tank is either empty or full
- Warning condition determined by a float switch
- Warning alarms are: Audio: buzzer
Visual: LED pilot light + strobe in Deluxe model
- The buzzer can be muted via the mute button. The visual alarms will remain on until alarm condition is eradicated.
- If not muted the audible buzzer will automatically silence after 5 minutes. If a continuously sounding audible alarm is required, this can be done by changing the jumper position.
- Controller can be installed up to 50m from the tank being monitored. Float switch cabling is 'safe', low voltage circuitry.

NOTE: Float switch not included - optional extra

STANDARD MODEL



DELUXE MODEL



Electrical Accessories

Jointing and Sealing Tape

Description	Part No
48mm x 30m	FTA-10050

- Multi purpose tape
- Grey colour
- Flame retardant and cold resistant
- Temperature rating: -20°C to 80°C



Insulation Tape

Description	Part No
19mm x 20m	FTA-10020

- PVC 0.15mm x 19mm x 20m
- Mixed pack (10 rolls)
- Flame retardant and cold resistant
- Temperature rating: -10°C to 80°C



Cable Ties

Description	Part No
308mm x 4.8mm	FCT-10204

- Black nylon
- Self locking
- Temperature rating: -40°C to 80°C
- UV stabilised
- Packs of 100 units



Heat Shrink Kit

Connector Size	Cable Diameter	Part No
1.5mm ² , 2.5mm ² , 4mm ² , 6mm ²	7.0-12mm	HSPKC

- Resistance to copper erosion and fungus
- Hot melt adhesive for effective water and environmental sealing
- High shrink ratio tubes
- Rated to 600 VAC



Cable Gland

Description	Part No
20mm	FGL-33162

- Rated to IP68
- Black nylon
- Complete with rubber gasket
- Temperature rating: -40°C to 100°C
- Range 9mm to 14mm
- Comes in a pack of 40



Thermal Cut-Out Protection

Part No
MAT-TE45

- Mounts on surface of pump or pipe
- Connect in series with pump supply
- Indicator lamp shows when pump has overheated (run dry or dead head) 45°C
- Maximum: 16 amps
- Push button reset when cooled



Motor Fans & Bushes

Motor Fans

Description	Part No
Motor Fan suit 71 frame	CS071
Motor Fan suit 80 frame	CS080
Motor Fan suit 90 frame	CS090
Motor Fan suit 100 frame	CS100
Motor Fan suit 112 frame	CS112
Motor Fan suit 132 frame	CS132
Motor Fan suit 160 frame	CS160
Motor Fan suit 180 frame	CS180



- A modular polypropylene fan range to suit many differing motors.
- With universal bushing system of only 3 bushes covering all fan sizes, the bushes are supplied with a pilot bore ready for boring out to the required shaft size
- Order bushes separately - see below

Bushes

Description	Part No
Bush Insert suit 71/80 fan	CSB071
Bush Insert suit 90/100 fan	CSB090
Bush Insert suit 112/132 fan	CSB112
Bush Insert suit 160/180 fan	CSB160

Fan Dimensions		
Code	Nom Diameter	Nom Height
CS070	122mm	26mm
CS080	132mm	26mm
CS090	167mm	33mm
CS100	171mm	37mm
CS112	216mm	46mm
CS132	246mm	56mm
CS160	298mm	56mm
CS180	333mm	56mm

Capacitors

Motor Run Capacitors - Plastic Case

CAPuF	Volts	Terminal	Part No
8uF	450V	Cable	CAP-8.0C
10uF	450V	Cable	CAP-10.0C
12uF	450V	Cable	CAP-12.0C
12.5uF	450V	Cable	CAP-12.5C
14uF	450V	Cable	CAP-14.0C
15uF	450V	Cable	CAP-15.0C
16uF	450V	Cable	CAP-16.0C
20uF	450V	Cable	CAP-20.0C
25uF	450V	Cable	CAP-25.0C
30uF	450V	Cable	CAP-30.0C
31.5uF	450V	Cable	CAP-31.5C
35uF	450V	Cable	CAP-35.0C
40uF	450V	Cable	CAP-40.0C
45uF	450V	Cable	CAP-45.0C
50uF	450V	Cable	CAP-50.0C
60uF	450V	Cable	CAP-60.0C
65uF	450V	Cable	CAP-65.0C
70uF	450V	Cable	CAP-70.0C
75uf	450V	Cable	CAP-75.0C
2uF	450V	Pins	CAP-2.0P
4uF	450V	Pins	CAP-4.0P
5uF	450V	Pins	CAP-5.0P
6uF	450V	Pins	CAP-6.0P
7uF	450V	Pins	CAP-7.0P
8uF	450V	Pins	CAP-8.0P
9uF	450V	Pins	CAP-9.0P
10uF	450V	Pins	CAP-10.0P
12uF	450V	Pins	CAP-12.0P
12.5uF	450V	Pins	CAP-12.5P
14uF	450V	Pins	CAP-14.0P
15uF	450V	Pins	CAP-15.0P
16uF	450V	Pins	CAP-16.0P
18uF	450V	Pins	CAP-18.0P
20uF	450V	Pins	CAP-20.0P
22uF	450V	Pins	CAP-22.0P



Motor Run Capacitors - Plastic Case

CAPuF	Volts	Terminal	Part No
25uF	450V	Pins	CAP-25.OP
30uF	450V	Pins	CAP-30.OP
31.5uF	450V	Pins	CAP-31.5P
35uF	450V	Pins	CAP-35.OP
40uF	450V	Pins	CAP-40.OP
45uF	450V	Pins	CAP-45.OP
50uF	450V	Pins	CAP-50.OP
55uF	450V	Pins	CAP-55.OP
60uF	450V	Pins	CAP-60.OP
70uF	450V	Pins	CAP-70.OP
80uF	450v	Pins	CAP-80.OP
90uF	450v	Pins	CAP-90.OP
100uF	450v	Pins	CAP-100.OP

- Generic make to suit multiple pump and motor manufacturers
- Tolerance +/-5%

Motor Start Capacitors

CAPuF	Volts	Terminal	Part No
30-36uF	125V	Pins	SCAP125-30-36
43-52uF	125V	Pins	SCAP125-43-52
53-64uf	125V	Pins	SCAP125-53-64
64-77uF	125V	Pins	SCAP125-64-77
72-86uF	125V	Pins	SCAP125-72-86
88-106uF	125V	Pins	SCAP125-88-106
108-130uF	125V	Pins	SCAP125-108-130
124-149uF	125V	Pins	SCAP125-124-149
130-156uF	125V	Pins	SCAP125-130-156
145-174uF	125V	Pins	SCAP125-145-174
161-193uF	125V	Pins	SCAP125-161-193
189-227uF	125V	Pins	SCAP125-189-227
216-260uF	125V	Pins	SCAP125-216-260
233-280uF	125V	Pins	SCAP125-233-280
243-292uF	125V	Pins	SCAP125-243-292
270-324uF	125V	Pins	SCAP125-270-324
324-389uF	125V	Pins	SCAP125-324-389
340-408uF	125V	Pins	SCAP125-340-408
378-454uF	125V	Pins	SCAP125-378-454



Motor Start Capacitors (Cont'd)

CAPuF	Volts	Terminal	Part No
400-480uF	125V	Pins	SCAP125-400-480
430-516uF	125V	Pins	SCAP125-430-516
25-30uF	250V	Pins	SCAP250-25-30
36-43uF	250V	Pins	SCAP250-36-43
47-56uF	250V	Pins	SCAP250-47-56
53-64uF	250V	Pins	SCAP250-53-64
64-77uF	250V	Pins	SCAP250-64-77
72-86uF	250V	Pins	SCAP250-72-86
88-106uF	250V	Pins	SCAP250-88-106
108-130uF	250V	Pins	SCAP250-108-130
124-149uF	250V	Pins	SCAP250-124-149
130-156uF	250V	Pins	SCAP250-130-156
145-174uF	250V	Pins	SCAP250-145-174
161-193uF	250V	Pins	SCAP250-161-193
189-227uF	250V	Pins	SCAP250-189-227
200-240uF	250V	Pins	SCAP250-200-240
216-260uF	250V	Pins	SCAP250-216-260
233-280uF	250V	Pins	SCAP250-233-280
270-324uF	250V	Pins	SCAP250-270-324
30-36uF	330V	Pins	SCAP330-30-36
36-43uF	330V	Pins	SCAP330-36-43
43-52uF	330V	Pins	SCAP330-43-52
47-56uF	330V	Pins	SCAP330-47-56
53-64uF	330V	Pins	SCAP330-53-64
64-77uF	330V	Pins	SCAP330-64-77
72-86uF	330V	Pins	SCAP330-72-86
88-106uF	330V	Pins	SCAP330-88-106
108-130uF	330V	Pins	SCAP330-108-130
124-149uF	330V	Pins	SCAP330-124-149
130-156uF	330V	Pins	SCAP330-130-156
145-174uF	330V	Pins	SCAP330-145-174
161-193uF	330V	Pins	SCAP330-161-193
189-227uF	330V	Pins	SCAP330-189-227

Motor Run Capacitors - Aluminium Case

CAPuF	Volts	Terminal	Part No
12uf	450V	Pins	CAPAL-12.OP
16uf	450V	Pins	CAPAL-16.OP
20uf	450V	Pins	CAPAL-20.OP
25uf	450V	Pins	CAPAL-25.OP
30uf	450V	Pins	CAPAL-30.OP
40uf	450V	Pins	CAPAL-40.OP



Pressure Gauges

50mm Lower Mount

Range	Part No
0-250kPa	PGD50L250
0-400kPa	PGD50L400
0-800kPa	PGD50L800
0-1000kPa	PGD50L1000
0-1200kPa	PGD50L1200
0-1600kPa	PGD50L1600
0-2500kPa	PGD50L2500

- Dry
- Stainless steel case
- ¼" BSP brass thread



50mm Rear Mount

Range	Part No
0-400kPa	PGD50R400
0-800kPa	PGD50R800
0-1000kPa	PGD50R1000
0-1200kPa	PGD50R1200
0-1600kPa	PGD50R1600
0-2500kPa	PGD50R2500

- Dry
- Stainless steel case
- ¼" BSP brass thread



63mm Lower Mount

Range	Part No
0-400kPa	PGD63L400
0-600kPa	PGD63L600
0-800kPa	PGD63L800
0-1000kPa	PGD63L1000
0-1200kPa	PGD63L1200
0-1600kPa	PGD63L1600
0-2500kPa	PGD63L2500

- Dry
- Stainless steel case
- ¼" BSP brass thread



63mm Liquid Filled Lower Mount

Range	Part No
-100-0kPa	PGL63L100V
0-250kPa	PGL63L250
0-400kPa	PGL63L400
0-600kPa	PGL63L600
0-800kPa	PGL63L800
0-1000kPa	PGL63L1000
0-1200kPa	PGL63L1200
0-1600kPa	PGL63L1600
0-2500kPa	PGL63L2500
0-10000kPa	PGL63L10000
0-25000kPa	PGL63L25000
0-40000kPa	PGL63L40000

- Liquid filled
- Stainless steel case
- ¼" BSP brass thread



63mm Liquid Filled Rear Mount

Range	Part No
0-400kPa	PGL63R400
0-600kPa	PGL63R600
0-800kPa	PGL63R800
0-1000kPa	PGL63R1000
0-1200kPa	PGL63R1200
0-1600kPa	PGL63R1600
0-2500kPa	PGL63R2500

- Liquid filled
- Stainless steel case
- ¼" BSP brass thread



100mm Liquid Filled Lower Mount

Range	Part No
0-600kPa	PGL100L600
0-800kPa	PGL100L800
0-1000kPa	PGL100L1000
0-1200kPa	PGL100L1200
0-1600kPa	PGL100L1600
0-2500kPa	PGL100L2500
0-4000kPa	PGL100L4000
0-10000kPa	PGL100L10000
-100-1000kPa	PGL100L-1001000C

- Liquid filled
- Stainless steel case
- ½" BSP brass thread



SHOWCASE IN STYLE WITH DISPLAY SHELVING*



**Discover our store
display options**

Contact 1800 810 670 or visit
southernpumping.com.au

*Conditions apply

MAXAFLEX

Maxaflex ensures smooth flow with expertly engineered pump components, including pump manifolds, pressure gauges, braided hoses, and filtration kits designed for optimal performance.

Bore Pump Accessories	48
Filtration	50
Pressure Tanks <small>GWS exclusive distributor</small>	52
Pump Manifolds	54
Threaded Flanges	56
Pump Bases	57
Valves & Fittings <small>Incl. Jobe</small>	59
Pressure Regulators	71
Braided Hoses	72

Bore Pump Accessories

Submersible Electrical Cable - 100m Coil ONLY

Description	Part No
2 Core & Earth - 1.5mm ²	SUCAB3.15
2 Core & Earth - 2.5mm ²	SUCAB3.25
2 Core & Earth - 4.0mm ²	SUCAB3.40
2 Core & Earth - 6.0mm ²	SUCAB3.60
3 Core & Earth - 1.5mm ²	SUCAB4.15
3 Core & Earth - 2.5mm ²	SUCAB4.25
3 Core & Earth - 4.0mm ²	SUCAB4.40
3 Core & Earth - 6.0mm ²	SUCAB4.60



- 100m coil
- Submersible to 200m
- Suitable for fresh water, UV, sunlight, oil & water-resistant, salt water, sewage
- HO7RN-F black rubber
- Larger coils available on request

PVC Shroud Adaptors

Description	Part No
32 x 100mm Shroud Adaptor	SA10032
40 x 100mm Shroud Adaptor	SA10040
50 x 100mm Shroud Adaptor	SA10050



- Injection moulded plastic for increased strength
- Slot for cable
- Key to bore pump protection - motor cooling

Bore Caps

Description	Part No
32mm BSPF Stainless Steel Bore Caps	BC32-SS
40mm BSPF Stainless Steel Bore Caps	BC40-SS
50mm BSPF Stainless Steel Bore Caps	BC50-SS



- 304 stainless steel
- Full BSP thread
- Cable slot and holes for safety cable anchoring

Stainless Steel Wire Rope & Grip

Description	Part No
4mm x 305m Spool	SSWR40
4mm Wire Grip	SSG40

- 316SS marine grade
- Metallurgical lab quality



Filtration

Filter Housing Kits

Description	Part No
Single 10" Standard Filter Housing Kit	SFHS10-20W-WM
Single 10" Jumbo Filter Housing Kit	SFHJ10-40B-WM
Single 20" Jumbo Filter Housing Kit	SFHJ20-40B-WM
Dual 10" Standard Filter Housing Kit	DFHS10-20W-WM
Dual 10" Jumbo Filter Housing Kit	DFHJ10-25B-WM
Dual 20" Jumbo Filter Housing Kit	DFHJ20-25B-WM



- Includes filter elements, wrench and fasteners
- 99% reduction in taste and odour contaminants
- Watermarked AS/NZS 4020
- Highest Australian pressure rated housing

Standard Filter Elements

Description	Dimensions	Micron	Part No
10" Standard	10" x 2.5"	1	FES10-01
10" Standard	10" x 2.5"	5	FES10-05
10" Standard	10" x 2.5"	10	FES10-10
10" Standard	10" x 2.5"	20	FES10-20
10" Jumbo	10" x 4.5"	1	FEJ10-01
10" Jumbo	10" x 4.5"	5	FEJ10-05
10" Jumbo	10" x 4.5"	10	FEJ10-10
20" Jumbo	20" x 4.5"	1	FEJ20-01
20" Jumbo	20" x 4.5"	5	FEJ20-05



- 100% virgin polypropylene
- Removes sediment, dirt, rust and other suspended solids
- Temperature range: 4.4°C to 62.8°C other suspended particles
- High quality NSF certified
- Up to 80% more surface area compared to standard sediment filters which means a longer life for your filter element

Pleated Filter Elements

Description	Dimensions	Micron	Part No
10" Standard	10" x 2.5"	5	FEPS10-05
10" Standard	10" x 2.5"	10	FEPS10-10
10" Standard	10" x 2.5"	20	FEPS10-20
10" Jumbo	10" x 4.5"	5	FEPJ10-05
10" Jumbo	10" x 4.5"	10	FEPJ10-10
10" Jumbo	10" x 4.5"	20	FEPJ10-20
20" Jumbo	20" x 4.5"	5	FEPJ20-05
20" Jumbo	20" x 4.5"	10	FEPJ20-10
20" Jumbo	20" x 4.5"	20	FEPJ20-20

- Suitable for high sediment filtration or pre-filtration
- Re-usable



Carbon Block Filter Elements

Size	Micron	Part No
10" x 2.5" Standard	5	FECS10-05
10" x 4.5" Jumbo	5	FECJ10-05
20" x 4.5" Jumbo	5	FECJ20-05

- 100% pure coconut shell activated carbon
- 100% virgin polypropylene
- Temperature range: 4.4°C to 40°C
- Reduces chlorine, volatile organic compounds (VOC), taste and odour



Washable Screen Element

Size	Micron	Part No
10" x 2.5" Standard	80	FESS10-80

- Suitable for high sediment filtration
- Re-usable



Anti Scale Elements

Size	Part No
10" x 2.5" Standard	FEOSS10
10" x 4.5" Jumbo	FEOSJ10
10" x 4.5" Jumbo	FEOSJ20



Pressure Tanks

PressureWave Vertical Pressure Tank/Vessels

Size	Pressure Rating	Port	Part No
2 Litre	10 bar	1" BSPM	PWB-2LX
8 Litre	10 bar	1" BSPM	PWB-8LX
18 Litre	10 bar	1" BSPM	PWB-18LX
35 Litre	10 bar	1" BSPM	PWB-35LV
60 Litre	10 bar	1" BSPM	PWB-60LV
80 Litre	10 bar	1" BSPM	PWB-80LV
100 Litre	10 bar	1" BSPM	PWB-100LV
150 Litre	10 bar	1" BSPM	PWB-150LV



- Stainless steel connection
- Max working temperature: 90°C
- Max working pressure: 10 bar
- Various approvals including watermark
- Tank precharge: 1.9 bar/28 psi
- Quality tested during production
- FDA approved butyl diaphragm
- 'X' = pipe mounted and 'V' = vertical with a base

PressureWave Horizontal Pressure Tank/Vessels

Size	Pressure Rating	Port	Part No
20 Litre	10 bar	1" BSPM	PWB-20LH
35 Litre	10 bar	1" BSPM	PWB-35LH
60 Litre	10 bar	1" BSPM	PWB-60LH

- Stainless steel connection
- Max working temperature: 90°C
- Max working pressure: 10 bar
- Various approvals including watermark
- Tank precharge: 1.9 bar/28 psi
- Quality tested during production
- FDA approved butyl diaphragm

Max & UltraMax Vertical Pressure Tanks

Size	Pressure Rating	Port	Part No
8 Litre	16 bar	1" BSPM	MXB-8LX
18 Litre	16 bar	1" BSPM	MXB-18LX
60 Litre	16 bar	1" BSPM	MXB-60LV
80 Litre	16 bar	1" BSPM	MXB-80LV
100 Litre	16 bar	1" BSPM	MXB-100LV
8 Litre	25 bar	1" BSPM	UMB-8LX
24 Litre	25 bar	1" BSPM	UMB-24LX
100 Litre	25 bar	1" BSPM	UMB-100LV



- Stainless steel connection
- Max working temperature: 90°C
- Max working pressure: 16/25 bar
- Various approvals including watermark
- Precharge: 4 bar/58 psi
- Quality tested during production
- FDA approved butyl diaphragm
- 'X' = pipe mounted and 'V' = vertical with a base

SuperFlow Pressure Vessels

Size	Pressure Rating	Port	Part No
200 Litre	16 bar	1 ¼"	SMB-INT-200LV
300 Litre	16 bar	1 ¼"	SMB-INT-300LV
200 Litre	25 bar	1 ¼"	SUB-INT-200LV
500 Litre	25 bar	1 ¼"	SUB-INT-500LV
850 Litre	25 bar	2"	SUB-INT-850LV



- Custom tanks available, up to 10,000 litres and 100 bar
- Sizes listed are stocked in Australia
- Certifications available include ASME, AS1210, Worksafe
- Lifting lugs are mounted for easy movement
- High-grade butyl diaphragm
- High precision weld seam

Pump Manifolds

Single Pump Manifolds

Ports	Length	Material	Part No
1" x 1" x 1" x 1/4"	280mm	304SS	SPM25
1 1/4" x 1 1/4" x 1" x 1/4"	280mm	304SS	SPM32
1 1/2" x 1 1/2" x 1" x 1/4"	280mm	304SS	SPM40
2" x 2" x 1" x 1/4"	300mm	304SS	SPM50
3" x 3" x 1" x 1/4"	300mm	304SS	SPM80

- 25 bar
- All ports are BSP
- High quality aesthetic finish



Dual Pump Manifolds

Ports	Length	Material	Part No
2" x 2" x 1 1/4" x 1 1/4" x 1" x 1/4" x 1/4"	670mm	304SS	DPM50
2 1/2" x 2 1/2" x 1 1/2" x 1 1/2" x 1" x 1/4" x 1/4"	745mm	304SS	DPM65
3" x 3" x 2" x 2" x 1" x 1/4" x 1/4"	800mm	304SS	DPM80

- 25 bar
- All ports are BSP
- High quality aesthetic finish



Triplex Pump Manifolds

Ports	Length	Material	Part No
2" x 2" x 1 1/4" x 1 1/4" x 1 1/4" x 1" x 1/4" x 1/4"	600mm	304SS	TPM50
2 1/2" x 2 1/2" x 1 1/2" x 1 1/2" x 1 1/2" x 1" x 1/4" x 1/4"	600mm	304SS	TPM65
3" x 3" x 2" x 2" x 2" x 1" x 1/4" x 1/4"	600mm	304SS	TPM80

- 25 bar
- All ports are BSP
- High quality aesthetic finish



i For complimentary pump bases see page 57

Bore Pump Manifolds

Ports	Length	Material	Part No
1¼" x 1¼" x 1" x ¼" x ¼"	600mm	304SS	BPM32
1½" x 1½" x 1" x ¼" x ¼"	600mm	304SS	BPM40
2" x 2" x 1" x ¼" x ¼"	600mm	304SS	BPM50

- 25 bar
- All ports are BSP
- High quality aesthetic finish



Circulator Pump Manifolds

Ports	Length	Material	Part No
1" x 1" x ¾" x ¾"	340mm	304SS	CPM25
1¼" x 1¼" x 1" x 1"	400mm	304SS	CPM32

- Hot water circulator applications
- High quality aesthetic finish



Threaded Flanges

Threaded Flanges - DIN Standard

Size	Bolt Holes	Material	Part No
1"	4	316SS	FLD25
1¼"	4	316SS	FLD32
1½"	4	316SS	FLD40
2"	4	316SS	FLD50
3"	8	316SS	FLD80

- PN16
- BSP threaded



Pump Bases

Stainless Steel Vertical Multistage Pump Bases

Description	Size	Part No
Single Pump Base Stainless Steel	L:400mm W:875mm H:50mm	SPB-SS
Dual Pump Base Stainless Steel	L:500mm W:1000mm H:50mm	DPB-SS
Triplex Pump Base Stainless Steel	L:500mm W:1316mm H:50mm	TPB-SS



- ISO footprint drillings to suit most vertical multi-stage pumps from size 1 up to 20 (e.g. VM1-VM20)
- 304 stainless steel
- Durable, robust design with ample clearance
- Bolt holes provided at the rear of the base for mounting modular pump control panel stand

i For complimentary pump manifolds see page 54-55

Modular Pump Control Panel Stand

Description	Part No
To suit control panels 500mm wide	CPS-500
To suit control panels 600mm wide	CPS-600

- To suit Maxaflex single, dual & triplex bases
- Panel stand kit ONLY. Order base separately



Pump Base & Cover Sets

Description	Part No
Pump Base and Cover - Beige	PBC1 - BEIGE
Pump Base and Cover - Charcoal	PBC1 - CHARCOAL
Pump Base and Cover - Heritage Green	PBC1 - HERITAGE GREEN
Pump Base and Cover - Mist Green	PBC1 - MIST GREEN
Pump Base and Cover - Mountain Blue	PBC1 - MOUNTAIN BLUE
Pump Base and Cover - Smooth Cream	PBC1 - SMOOTH CREAM
Pump Base and Cover - Windspray Grey	PBC1 - WINDSPRAY GREY
Pump Base and Cover - Woodland Grey	PBC1 - WOODLAND GREY



- W:34cm L:64cm H:55cm
- UV resistant
- Multiple installation configurations
- Specify colour
- Lightweight
- Suit pressure pump and controller
- Stackable
- Includes pump base and pump cover

Valves & Fittings

Barrel Unions

Size	Part No
20mm	NAPU20
25mm	NAPU25
32mm	NAPU32
40mm	NAPU40
50mm	NAPU50

- Plastic/glass fibre reinforced nylon
- Max working pressure: (16 bar) 230 psi @ 20°C
- Non-corrosive
- Nitrile rubber O-rings



Non-Return Valve / Footvalves

Size	Part No
20mm	NAFV20
25mm	NAFV25
32mm	NAFV32
40mm	NAFV40
50mm	NAFV50

- Non-corrosive robust design
- Nylon plunger
- Nitrile rubber washers & O'rings
- Can be used as non-return valve or footvalve
- SS spring
- Includes screen



Five Way Tees / Check Valves

Size	Ports	Part No
25mm	1" M x 1" F x 1" F x 1/4" F x 1/4" F	5WCV25
32mm	1 1/4" M x 1 1/4" F x 1" F x 1/4" F x 1/4" F	5WCV32
40mm	1 1/2" M x 1 1/2" F x 1" F x 1/4" F x 1/4" F	5WCV40
50mm	2" M x 2" F x 1" F x 1/4" F x 1/4" F	5WCV50

- 304SS construction
- Combination valve saves fittings & joints
- Elastomer/SS seat



Multiple Way Tees

Ports	Length	Part No
3 way - 1"F x 1"F x 1"M	72mm	103.005
4 way - 1"F x 1"F x 1"M x ¼"F	78mm	104
5 way - 1"F x 1"F x 1"M x ¼"F x ¼"M	72mm	105.005
5 way - 1"F x 1"F x 1"M x ¼"F x ¼"M	90mm	105.035
5 way - 1"F x 1"F x 1"M x ¼"F x ¼"M	90mm	5WT
5 way - 1 ¼"F x 1 ¼"F x 1 ¼"M x ¼"F x ¼"M	110mm	5WT32

- Increased wall thickness to prevent cracking from pressure
- Brass construction



3-Way Nipples

Ports	Part No
1"M x 1"M x ¼"F	130.0501
2"M x 2"M x ½"F	130.0803

- Knurled male threads on the 130.0501
- Assists in installing ¼" and ½" components inline
- Brass construction



Brass Gate Valves

Size	Part No
½"	GV15
¾"	GV20
1"	GV25
1 ¼"	GV32
1 ½"	GV40
2"	GV50
2 ½"	GV65
3"	GV80
4"	GV100



Brass Ball Valves

Size	Part No
1/2"	BBV15
3/4"	BBV20
1"	BBV25
1 1/4"	BBV32
1 1/2"	BBV40
2"	BBV50
2 1/2"	BBV65
3"	BBV80
4"	BBV100



Brass Swing Check Valves - Brass Poppets

Size	Part No
1/2"	SP15B
3/4"	SP20B
1"	SP25B
1 1/4"	SP32B
1 1/2"	SP40B
2"	SP50B
2 1/2"	SP65B
3"	SP80B
4"	SP100B



Brass Swing Check Valves

Size	Part No
1/2"	SW15
3/4"	SW20
1"	SW25
1 1/4"	SW32
1 1/2"	SW40
2"	SW50
2 1/2"	SW65
3"	SW80
4"	SW100



Stainless Steel Screens

Size	Part No
½"	SC15
¾"	SC20
1"	SC25
1 ¼"	SC32
1 ½"	SC40
2"	SC50
2 ½"	SC65
3"	SC80
4"	SC100



Dual Check Valve

Size	Part No
20mm	MDOV20

- Watermarked
- For rains/ mains application



Pressure Reduction Valve

Size	Part No
20mm	PR20

- Max hot water pressure 1600kPa
- Brass construction
- 150-600kPa adjustable pressure range



Brass Foot Valves

Size	Part No
1/2"	BFV15
3/4"	BFV20
1"	BFV25
1 1/4"	BFV32
1 1/2"	BFV40
2"	BFV50
2 1/2"	BFV65
3"	BFV80
4"	BFV100



Brass Y Strainers

Size	Part No
1/2"	YSR15
3/4"	YSR20
1"	YSR25
1 1/4"	YSR32
1 1/2"	YSR40
2"	YSR50
2 1/2"	YSR65
3"	YSR80
4"	YSR100



Duo Wafer Check Valves

Size	Part No
2"	DWC50
2 1/2"	DWC65
3"	DWC80
4"	DWC100
6"	DWC150
8"	DWC200
10"	DWC250
12"	DWC300



- Stainless steel disc
- EPDM rubber
- Ductile iron body

Wafer Butterfly Valves

Size	Part No
2"	BFLY-W-50
2 ½"	BFLY-W-65
3"	BFLY-W-80
4"	BFLY-W-100
5"	BFLY-W-125
6"	BFLY-W-150
8"	BFLY-W-200
10"	BFLY-W-250
12"	BFLY-W-300

- Stainless steel disc
- EPDM rubber
- Ductile iron body



Lugged Butterfly Valves - Table E

Size	Part No
2"	BFLY-LW-50
2 ½"	BFLY-LW-65
3"	BFLY-LW-80
4"	BFLY-LW-100
5"	BFLY-LW-125
6"	BFLY-LW-150
8"	BFLY-LW-200
10"	BFLY-LW-250
12"	BFLY-LW-300

- Stainless steel disc
- EPDM rubber
- Ductile iron body



Flanged Rubber Bellows - Table E

Size	Part No
2"	FRB-TE-50
2 1/2"	FRB-TE-65
3"	FRB-TE-80
4"	FRB-TE-100
5"	FRB-TE-125
6"	FRB-TE-150
8"	FRB-TE-200
10"	FRB-TE-250
12"	FRB-TE-300



Galvanised Foot Valves

Size	Part No
4" Table E - 400mm H	GFV-4
6" Table E - 460mm H	GFV-6
8" Table E - 580mm H	GFV-8

- Quick release lever
- Heavy duty construction



Pressure Relief Valves

Inlet / Outlet	Body	Seat	Spring	Pressure	Part No
3/4" x 3/4"	Nylon	Acetal	SS	0-60 psi	PRV20-60
3/4" x 3/4"	Nylon	Acetal	SS	0-150 psi	PRV20-150
3/4" x 3/4"	Nylon	Acetal	SS	0-250 psi	PRV20-250
3/4" x 3/4"	Nylon	Acetal	SS	0-400 psi	PRV20-400
3/4" x 3/4"	Brass	Rubber	SS	0-200 psi	PRVB20-200
3/4" x 3/4"	Brass	SS Ball	SS	0-300 psi	PRVB20-300
1" x 3/4"	Brass	Brass	SS	0-400 psi	PRVB25-400

- Bypass type
- Made in USA
- Tee handle for fine and fast adjustments
- Locking nut to fix set point
- NOTE - product does continually leak as a bypass relief valve. If you need a unit that seals and releases at the set point, refer to the safety relief valves on page 65.



Safety Relief Valves

Size	Seat	Spring	Part No
½"	PTFE	304SS	SRV-15
¾"	PTFE	304SS	SRV-20
1"	PTFE	304SS	SRV-25
1¼"	PTFE	304SS	SRV-32
1½"	PTFE	304SS	SRV-40
2"	PTFE	304SS	SRV-50
3"	Brass	Steel	SRV-80

- Cast bronze body
- Positive seal (soft seat)
- Adjustable set pressure
- Tamper resistant
- Working pressure: 1-12 bar
- Working temperature: -45°C - 185°C
- BSP ports
- Holds pressure to set point, then 'blasts' the pressure out



Rojo Float Valves - 20L/Min

Flow	Inlet Size	Max Flow Rate	Max Bar	Part No
High Flow	15mm	20L/Min	10	RJV15
High Flow	15mm	30L/Min	5	RJV15HF
Standard	20mm	20L/Min	10	RJV20
High Flow	20mm	30L/Min	5	RJV20HF
Compact	20mm	10L/Min	10	RJVC20
Cartridge Assembly				RJP3

- Side, bottom, top mounting
- Valve body screws apart by hand for easy servicing
- Flow stops when unscrewed for servicing
- Non corrosive material construction
- Built in check valve
- Fully adjustable float angle
- Pressure range 0-10 bar (0-150 psi)
- Has switch to lock



Rojo Partfill Valves - 20L/Min

Inlet Size	Part No
15mm	RJVP15
20mm	RJVP20

- Ideal for use with all makes and models of rain water harvesting tanks
- Compatible with trickle flow restrictors
- Compact
- Constructed from non-corroding materials
- Built in non return valve
- Valve can be locked in off position using the lock off switch
- WaterMarked



Megaflow Trough Valves - 200L/Min

Size	Part No
20mm	MFV20D
25mm	MFV25D
32mm	MFV32D
Diaphragm Assembly	MFP3
Filter/Strainer	MFV-F
Connect Hose Coupling	CNV20

- High flow
- Compact robust construction
- 20-60mm (¾" - 2 ½") water level differential (increases as water pressure increases)
- Positive on/off operation
- Lock off with cord lock
- Pressure rating: 0.3 - 10 bar (5 - 150 psi)
- Inlet filter
- Constructed from corrosion resistant materials
- Under water installation helps avoid freezing
- Valve is less prone to stock damage



Topaz Trough Valves - 200L/Min

Size	Part No
20mm	TPV20D
20mm (Long-Tail 38mm)	TPV20DLT
25mm	TPV25D
32mm	TPV32D
Diaphragm Assembly	TPP3
Filter/Strainer	MFP3
Connect Hose Coupling	CNV20

- High flow
- Compact robust construction
- Mounts horizontally or vertically
- Made from corrosion resistant materials
- Shuts down slowly to minimise water hammer
- 20 - 60mm (¾" - 2 ½") water level differential (increases as water inlet pressure increases)
- Pressure rating: 0.3 - 7 bar (5 - 100 psi)
- Float position easily adjustable with no tools
- Valve has switch to lock it in off position



Topaz Industro Float Valves - 200L/Min

Size	Part No
20mm	TPVI20D
25mm	TPVI25D
32mm	TPVI32D

- High flow
- Compact robust construction
- Maximum water temperature: 80°C / 176°F
- Made from approved materials
- Mounts horizontally or vertically
- Made from corrosion resistant materials
- Shuts down slowly to minimise water hammer
- 20 - 60mm (¾" - 2 ½") water level differential (increases as water inlet pressure increases)
- Pressure rating: 0.3 - 7 bar (5 - 100 psi)
- Float position easily adjustable with no tools
- Valve has switch to lock it in off position



Topaz Differential Valves - 200L/Min

Size	Part No
15mm	TPVD15DLT
20mm	TPVD20DLT
25mm	TPVD25DLT
32mm	TPVD32DLT

- High flow
- Start and stop levels can be easily adjusted to give water level differentials from 50mm to 2.5 m
- Keeps pump operation to a minimum
- Detach™ Valve Seal Access System for quick access to valve seal (patented)
- Ideal for all makes and models of tanks



Topaz Partfill Valves - 200L/Min

Size	Part No
15mm	TPVP15DLT
20mm	TPVP20DLT
25mm	TPVP25DLT
32mm	TPVP32DLT

- Ideal for use with all makes and models of rain water harvesting tanks
- Compact
- Constructed from non corroding materials
- Built in non return valve
- Valve can be locked in off position using the lock off switch
- Up to 150mm differential obtainable (dependant on pressure)
- Detach™ Valve Seal Access System for quick access to valve seal (patented)



Vortex Partfill Valves - 600L/Min

Size	Part No
32mm	VXVP32
40mm	VXVP40
50mm	VXVP50

- Ideal for use with all makes and models of rain water harvesting tanks
- Compact
- Constructed from non corroding materials
- Valve can be locked in off position using the lock off switch
- Up to 150mm differential obtainable (dependant on pressure)
- Valve unscrews from tail for easy valve access



Vortex Float Valves - 600L/Min

Size	Part No
32mm	VXV32
40mm	VXV40
50mm	VXV50
Diaphragm Assembly	VXP3

- High flow
- Compact robust construction
- Mounts horizontally or vertically
- Made from corrosion resistant materials
- Valve unscrews from tail for easy valve seal access
- Shuts down slowly to minimise water hammer
- 20 - 60mm (¾" - 2 ½") water level differential (increases as water inlet pressure increases)
- Pressure rating 0.3 - 7 bar (5 - 100 psi)
- Float position easily adjustable with no tools
- Valve has switch to lock it in off position



Vortex Bottom Fill Valves - 600L/Min

Size	Part No
32mm	VXVB32
40mm	VXVB40
50mm	VXVB50

- High flow
- Compact robust construction
- Mounts horizontally or vertically
- Made from corrosion resistant materials
- Valve unscrews from tail for easy valve seal access
- Shuts down slowly to minimise water hammer
- 20 - 60mm (¾" - 2 ½") water level differential (increases as water inlet pressure increases)
- Pressure rating 0.3 - 7 bar (5 - 100 psi)
- Float position easily adjustable with no tools
- Valve has switch to lock it in off position



Water Level Indicators

Size	Part No
Water Level Indicator	VVSE/JRWL
1 Metre Extension	VVSE/JRWE

- Easily fitted to concrete, plastic & fibreglass tanks to show level at a glance
- Highly visible indicator can be seen for long distances
- Double bracing arms for increased wind resistance
- Constructed from high grade stainless steel
- Standard length 2 metres



Pressure Regulators

Maxiflow Regulators

Main Seat	Factory Setting	Part No
5/32"		MXF-6001
1/4"	2.1m HD	MXF-6002
3/8"	3.6m HD	MXF-6003
3/8"	12.1m HD	MXF-6012
		MXF-DIAPHRAGM



Inlet Pressure	MXF-6001	MXF-6002	MXF-6003	MXF-6012
PSI	Free Flow Rate (Litres per/minute)			
20	25.9	37.3	37.3	37.3
30	28.2	38.7	38.9	38.7
40	34.1	40.9	40.9	40.9
50	34.6	40.9	40.9	40.9
60	35.9	41.4	41.4	41.4

Regulator Specifications

- Temperature range: 33° - 100°F (1° - 40°C)
- Inlet 1/2" BSP (15mm)
- Outlet 3/4" BSP (20mm)
- Maximum inlet pressure: 308 psi / 2100 kPa

Outlet Pressure Range Effective Ratio

- 0.45m to 6m 5.2kPa to 56kPa 400:1
- 1.2m to 10m 10.5kPa to 91kPa 100:1
- 5.1m to 12m 52.5kPa to 119kPa 100:1

Designed for:

- Poultry watering systems
- Animal watering systems
- Irrigation systems
- Hot water systems
- Assists suppression of water hammer
- Fine control of outlet pressure

Braided Hoses

1/2" Stainless Steel Braided Hoses - M/F

Size	Part No
1/2" - M/F - Suction - 300mm length	308.0303
1/2" - M/F - Suction - 400mm length	308.0304
1/2" - M/F - Suction - 500mm length	308.0305
1/2" - M/F - Suction - 600mm length	308.0306
1/2" - M/F - Suction - 800mm length	308.0308
1/2" - M/F - Suction - 1000mm length	308.0310

- 1/2" BSPM x 1/2" BSPF nut
- Working temperature: up to 90°C
- Working pressure: up to 16 bar
- 13mm internal
- Suction rated
- Non kink
- Internal corrugated HDPE tube
- 304 grade SS braiding
- Fibre gasket included



3/4" Stainless Steel Braided Hoses - M/F

Size	Part No
3/4" - M/F - Suction - 300mm length	308.0403
3/4" - M/F - Suction - 400mm length	308.0404
3/4" - M/F - Suction - 500mm length	308.0405
3/4" - M/F - Suction - 600mm length	308.0406
3/4" - M/F - Suction - 800mm length	308.0408
3/4" - M/F - Suction - 1000mm length	308.0410

- 3/4" BSPM x 3/4" BSPF nut
- Working temperature: +70°C
- Working pressure: 16 bar
- 19mm internal
- Suction rated
- Non kink
- Internal corrugated HDPE tube
- 304 grade SS braiding
- Fibre gasket included



1" Stainless Steel Braided Hoses - F/F

Size	Part No
1" - F/F - Suction - 300mm length FM/FM	308.2503
1" - F/F - Suction - 400mm length FM/FM	308.2504
1" - F/F - Suction - 600mm length FM/FM	308.2506
1" - F/F - Suction - 800mm length FM/FM	308.2508

- 1" BSPF x 1" BSPF nut
- Working temperature: up to 110°C
- Working pressure: up to 16 bar
- 25mm internal
- Suction rated
- Non kink
- Internal corrugated HDPE tube
- 304 grade SS braiding
- Fibre gasket included



1" Stainless Steel Braided Hoses - M/F

Size	Part No
1" - M/F - Suction - 300mm length	308.0503
1" - M/F - Suction - 400mm length	308.0504
1" - M/F - Suction - 500mm length	308.0505
1" - M/F - Suction - 600mm length	308.0506
1" - M/F - Suction - 800mm length	308.0508
1" - M/F - Suction - 1000mm length	308.0510
1" - M/F - Suction - 1200mm length	308.0512
1" - M/F - Suction - 1500mm length	308.0515
1" - M/F - Suction - 2000mm length	308.0520

- 1" BSPM x 1" BSPF nut
- Working temperature: up to 110°C
- Working pressure: up to 16 bar
- 25mm internal
- Suction rated
- Non kink
- Internal corrugated HDPE tube
- 304 grade SS braiding
- Fibre gasket included



1 1/4" Stainless Steel Braided Hoses - M/F

Size	Part No
1 1/4" - M/F - Suction - 300mm length	308.0603
1 1/4" - M/F - Suction - 400mm length	308.0604
1 1/4" - M/F - Suction - 500mm length	308.0605
1 1/4" - M/F - Suction - 600mm length	308.0606
1 1/4" - M/F - Suction - 800mm length	308.0608
1 1/4" - M/F - Suction - 1000mm length	308.0610

- Male & Female
- Working temperature: up to 110°C
- Working pressure: up to 16 bar
- 1 1/4" BSP
- 32.5mm internal
- Suction rated
- Non kink
- Internal corrugated HDPE tube
- 304 grade SS braiding
- Fibre gasket included



1 1/2" Stainless Steel Braided Hoses - M/F

Size	Part No
1 1/2" - M/F - 300mm length	308.0703
1 1/2" - M/F - 400mm length	308.0704
1 1/2" - M/F - 500mm length	308.0705
1 1/2" - M/F - 600mm length	308.0706
1 1/2" - M/F - 800mm length	308.0708
1 1/2" - M/F - 1000mm length	308.0710

- 1 1/2" BSPM x 1 1/2" BSPF nut
- Working temperature: up to 110°C
- Working pressure: up to 12 bar
- 36mm internal
- Non kink
- Internal corrugated HDPE tube
- 304 grade SS braiding
- Fibre gasket included
- Suction rated



2" Stainless Steel Braided Hoses - M/F

Size	Part No
2" - M/F - 300mm length	308.0803
2" - M/F - 400mm length	308.0804
2" - M/F - 500mm length	308.0805
2" - M/F - 600mm length	308.0806
2" - M/F - 800mm length	308.0808
2" - M/F - 1000mm length	308.0810

- 2" BSPM x 2" BSPF nut
- Working temperature: up to 110°C
- Working pressure: up to 12 bar
- 48mm internal
- Internal corrugated HDPE tube
- 304 grade SS braiding
- Fibre gasket included



Braided Hose Gaskets

Size	Part No
3/8" - Fibrous	360.002
1/2" - Fibrous	360.003
3/4" - Fibrous	360.004
1" - Fibrous	360.005
1 1/4" - Fibrous	360.006
1 1/2" - Fibrous	360.007
2" - Fibrous	360.008
2 1/2" - Fibrous	360.009
3" - Fibrous	360.010





NUMBAT

Numbat's range of rotating equipment components are unmatched, offering a full range of mechanical pump seals, gaskets & rubbers, bearings and essential components to keep your operations running smoothly.

Gaskets & Rubbers	78
Piston Pump Components Incl. Pump Buckets	81
Packing	84
Liquid Sealants Incl. Stag and Loxeal	87
Bearings	88
Mechanical Seals	90
Dairy/Spray Nozzles	109

Gaskets & Rubbers

Flange Gaskets - 3mm - Table D - Natural Rubber

Size	Part No
1" (25mm)	FGNR-TD-01.00
1 ¼" (32mm)	FGNR-TD-01.25
1 ½" (40mm)	FGNR-TD-01.50
2" (50mm)	FGNR-TD-02.00
2 ½" (65mm)	FGNR-TD-02.50
3" (80mm)	FGNR-TD-03.00
4" (100mm)	FGNR-TD-04.00
5" (125mm)	FGNR-TD-05.00
6" (150mm)	FGNR-TD-06.00
8" (200mm)	FGNR-TD-08.00
9" (225mm)	FGNR-TD-09.00
10" (250mm)	FGNR-TD-10.00
12" (300mm)	FGNR-TD-12.00
14" (350mm)	FGNR-TD-14.00
16" (400mm)	FGNR-TD-16.00
18" (450mm)	FGNR-TD-18.00
20" (500mm)	FGNR-TD-20.00



- Pressure rating: 145 psi

Flange Gaskets - 4.5mm - Table D - EPDM

Size	Part No
1" (25mm)	FGEP-TD-01.00
1 ¼" (32mm)	FGEP-TD-01.25
1 ½" (40mm)	FGEP-TD-01.50
2" (50mm)	FGEP-TD-02.00
2 ½" (65mm)	FGEP-TD-02.50
3" (80mm)	FGEP-TD-03.00
4" (100mm)	FGEP-TD-04.00
5" (125mm)	FGEP-TD-05.00
6" (150mm)	FGEP-TD-06.00



- Pressure rating: 200 psi

DIN Flange Gaskets - 3mm - Natural Rubber

Size	Part No
1" (25mm)	FGNR-D-01.00
1 ¼" (32mm)	FGNR-D-01.25
1 ½" (40mm)	FGNR-D-01.50
2" (50mm)	FGNR-D-02.00
2 ½" (65mm)	FGNR-D-02.50
3" (80mm)	FGNR-D-03.00
4" (100mm)	FGNR-D-04.00
5" (125mm)	FGNR-D-05.00
6" (150mm)	FGNR-D-06.00



- Pressure rating: 145 psi

DIN Flange Gaskets - 4.5mm - EPDM Natural Rubber

Size	Part No
1" (25mm)	FGEP-D-01.00
1 ¼" (32mm)	FGEP- D-01.25
1 ½" (40mm)	FGEP- D-01.50
2" (50mm)	FGEP- D-02.00
2 ½" (65mm)	FGEP- D-02.50
3" (80mm)	FGEP- D-03.00
4" (100mm)	FGEP- D-04.00
5" (125mm)	FGEP- D-05.00
6" (150mm)	FGEP- D-06.00



- Pressure rating: 200 psi

Nut & Tail Washers

Size	Part No
¾"	NTWR-075
1"	NTWR-1.00
1 ¼"	NTWR-1.25
1 ½"	NTWR-1.50
2"	NTWR-2.00
3"	NTWR-3.00



NUMBAT
GASKETS & RUBBERS

Coupling Rubber Cones

Diameter	Part No
28mm	CR-1
37mm	CR-4
50mm	CR-7



Stormwater Cap Washers

Size	Part No
90mm	SCW



Oil Jointing Paper

Thickness	Roll	Part No
0.4mm	1000 x 308mm	OJP-0.4R
0.8mm	1000 x 308mm	OJP-0.8R
1.5mm	1000 x 308mm	OJP-1.5R

- Used for temperatures up to 120°C, for automotive and light industrial applications



Natural Rubber Insertion

Thickness	Roll	Part No
1.5mm	1000 x 308mm	NRI-1.5R
3.0mm	1000 x 308mm	NRI-3.0R

- Ideal for water applications up to 70°C
- Ideal as a cushion joint



CSA-90

Thickness	Roll	Part No
0.5mm	750 x 380mm	CSA-0.5R
0.8mm	750 x 380mm	CSA-0.8R
1.5mm	750 x 380mm	CSA-1.5R

- Non-asbestos material suitable for applications up to 308°C
- Resistant to most media and copes with most applications including steam



Piston Pump Components

Piston Pump Kits

Kit Details	Part No
Suits 28 L Piston Pump	PK-8G
Suits 1 ½" Piston Pump	PK-10G
Suits 1 ¾" Piston Pump	PK-44G
Suits 2 ½" Piston Pump	PK-63A
Suits 2 ½" Piston Pump D.G.M	PK-63D
Suits 3" Piston Pump	PK-76A



PUMP KITS NUMBERS 8, 10, AND 44

Comprise of:

- 2 leather buckets
- 4 valve rubbers
- 4 valve springs
- 2 washers for inside buckets
- 1 separating washer
- 1 stainless locking washer (or nut)
- 4 valve washers
- 1 length of pump packing
- 5 rubber gaskets

PUMP KITS NUMBERS 63 AND 76

Comprise of:

- 2 leather buckets
- 4 valve rubbers
- 4 valve springs
- 6 rubber gaskets
- Pump packing rings

Piston Pump Rubbers

Size	Part No
1.375" (Suit 1 ½ Pump)	PVR-280
1.575" (Suit 1 ¾ Pump)	PVR-400
2" x ¾" (Suit 2 ½ Pump)	PVR-2/00-375
2" x ½" (Suit 2 ½ Pump)	PVR-2/00-500
2.625" (Suit 3 00 Pump)	PVR-2/625-500
3" (Suit 4 00 Pump)	PVR-3/00
4" (Suit 5 00 Pump)	PVR-4/00



Leather Pump Buckets

Diameter	Part No
1"	PB3-1
1 1/8"	PB3-1 1/8
1 1/4"	PB3-1 1/4
1 3/8"	PB3-1 3/8
1 1/2"	PB3-1 1/2
1 5/8"	PB3-1 5/8
1 3/4"	PB3-1 3/4
1 7/8"	PB3-1 7/8
2"	PB3-2
2 1/8"	PB3-2 1/8
2 1/4"	PB3-2 1/4
2 3/8"	PB3-2 3/8
2 1/2"	PB3-2 1/2
2 5/8"	PB3-2 5/8
2 3/4"	PB3-2 3/4
2 7/8"	PB3-2 7/8
3"	PB3-3
3 1/8"	PB3-3 1/8
3 1/4"	PB3-3 1/4
3 1/2"	PB3-3 1/2
3 3/4"	PB3-3 3/4
4"	PB3-4
4 1/8"	PB3-4 1/8
4 1/4"	PB3-4 1/4
4 1/2"	PB3-4 1/2
4 5/8"	PB3-4 5/8
4 3/4"	PB3-4 3/4
4 7/8"	PB3-4 7/8
5"	PB3-5
5 1/2"	PB3-5 1/2
6"	PB3-6
7"	PB3-7



- Cut-outs (specify size when ordering) \$2.92 each
- All PB3 buckets are suited to medium or soft water
- Type 1 & 2 buckets, suited to hard or artesian water, available on request

Neoprene Pump Buckets

Diameter	Part No
1"	PBNE-1
1 1/8"	PBNE-1 1/8
1 1/4"	PBNE-1 1/4
1 3/8"	PBNE-1 3/8
1 1/2"	PBNE-1 1/2
1 3/4"	PBNE-1 3/4
2 7/8"	PBNE-2 7/8
2"	PBNE-2
2 1/4"	PBNE-2 1/4
2 1/2"	PBNE-2 1/2
2 3/4"	PBNE-2 3/4
3"	PBNE-3
3 1/2"	PBNE-3 1/2
4"	PBNE-4



Packing

PTFE Packing - 1m

Size mm	Length	Part No
3.2	1m	NPP-32
5	1m	NPP-50
6.5	1m	NPP-65
8	1m	NPP-80
9.5	1m	NPP-95
12.5	1m	NPP-125
16	1m	NPP-160
19	1m	NPP-190



- PTFE impregnated synthetic fibre lubricated
- Speed: 12mtr/sec
- pH: 2-12
- Temperature: to 250°C
- Pressure: to 290 psi

PTFE Packing - 8m Roll

Size mm	Length	Part No
3.2	8m	NPP8-32
5	8m	NPP8-50
6.5	8m	NPP8-65
8	8m	NPP8-80
9.5	8m	NPP8-95
12.5	8m	NPP8-125
16	8m	NPP8-160
19	8m	NPP8-190



- PTFE impregnated synthetic fibre, lubricated
- Speed: 12mtr/sec
- pH: 2-12
- Temperature: to 250°C
- Pressure: to 290 psi

Graphite Packing - 1m

Size mm	Length	Part No
3.2	1m	GPP-32
5	1m	GPP-50
6.5	1m	GPP-65
8	1m	GPP-80
9.5	1m	GPP-95
12.5	1m	GPP-125
16	1m	GPP-160
19	1m	GPP-190



- Graphite impregnated synthetic fibre, lubricated
- Speed: 10mtr/sec
- pH: 2-12
- Temperature: to 260°C
- Pressure: to 290 psi

Graphite Packing - 8m Roll

Size mm	Length	Part No
3.2	8m	GPP8-32
5	8m	GPP8-50
6.5	8m	GPP8-65
8	8m	GPP8-80
9.5	8m	GPP8-95
12.5	8m	GPP8-125
16	8m	GPP8-160
19	8m	GPP8-190



- Graphite impregnated synthetic fibre, lubricated
- Speed: 10mtr/sec
- pH: 2-12
- Temperature: to 260°C
- Pressure: to 290 psi

Packing Cutter Tools

Part No
PCT01

- 90° and 45° cutting angles



**NUMBAT
PACKING**

Flexible Packing Extractors

Size	Part No
Small	FPER-1
Medium	FPER-2
Large	FPER-3
Replacement Tips - Small	FPE-T1
Replacement Tips - Medium	FPE-T2
Replacement Tips - Large	FPE-T3



O-Ring Extractor Sets

Description	Part No
Set of 4 tools for removal of O-rings	OE-4



Liquid Sealants

Jointing Paste

Size	Part No
200g	SJP

- Waterproof, oil proof, anticorrosive, non poisonous pipe joining paste



PTFE Thread Sealant

Size	Part No
100ml	L58-10
100ml	L58-11

- Gas & water approvals
- L58-10 has faster curing time



Instant Adhesive

Size	Part No
20g	L43S

- Fast curing



Bearings

Bearings

Size	Part No
10x26x8	6000
12x28x8	6001
15x32x9	6002
17x35x10	6003
20x42x12	6004
25x47x12	6005
30x55x13	6006
35x62x14	6007
45x75x16	6009
50x80x16	6010
55x90x18	6011
60x95x18	6012
10x30x9	6200
12x32x10	6201
15x35x11	6202
17x40x12	6203
20x47x14	6204
25x52x15	6205
30x62x16	6206
35x72x17	6207
40x80x18	6208
45x85x19	6209
50x90x20	6210
55x100x21	6211
60x110x22	6212
65x120x23	6213
70x125x24	6214
75x130x25	6215
10x35x11	6300
12x37x12	6301
15x42x13	6302
17x47x14	6303
20x52x15	6304
25x62x17	6305
30x72x19	6306
35x80x21	6307



Bearings

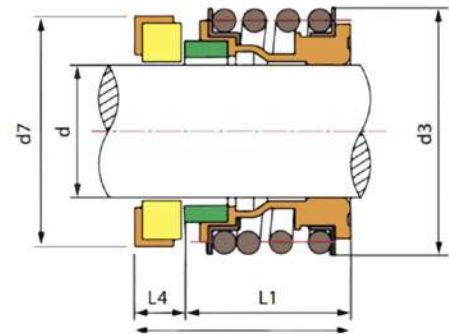
Size	Part No
40×90×23	6308
45×100×25	6309
50×110×27	6310
55×120×29	6311
60×130×31	6312
65×140×33	6313
70×150×35	6314
75×160×37	6315

- Rubber shield
- Reputable manufacturers only
- Single row deep grooved bearings

Mechanical Seals

Type NG1

d	d3	d7	L4	L1	L	Part No
12	25	23	6.6	15	21.6	NG1-12mm
14	28.5	25	6.6	17	23.6	NG1-14mm
14	28.5	26	5.5	17	22.5	NG1-14mm HM
15	28.5	27	6.6	17	23.6	NG1-15mm
16	28.5	27	6.6	17	23.6	NG1-16mm
18	32	33	7.5	19.5	27	NG1-18mm
19	37	35	7.5	21.5	29	NG1-19mm
20	37	35	7.5	21.5	29	NG1-20mm
20	37	31	8	21.5	29.5	NG1-20mm Z
22	37	37	7.5	21.5	29	NG1-22mm
24	42.5	39	7.5	22.5	30	NG1-24mm
25	42.5	40	7.5	23	30.5	NG1-25mm
28	49	43	7.5	26.5	34	NG1-28mm
30	49	45	7.5	26.5	34	NG1-30mm
32	53.5	48	7.5	27.5	35	NG1-32mm
33	53.5	48	7.5	27.5	35	NG1-33mm
35	57	50	7.5	28.5	36	NG1-35mm
38	59	56	9	30	39	NG1-38mm
40	62	58	9	30	39	NG1-40mm
43	65.5	61	9	30	39	NG1-43mm
45	68	63	9	30	39	NG1-45mm
48	70.5	66	9	30.5	39.5	NG1-48mm
50	74	70	9.5	30.5	40	NG1-50mm
53	78.5	73	11	33	44	NG1-53mm
55	81	75	11	35	46	NG1-55mm
58	85.5	78	11	37	48	NG1-58mm
60	88.5	80	11	38	49	NG1-60mm
65	93.5	85	11	40	51	NG1-65mm
68	96.5	90	11.3	40	51.3	NG1-68mm
70	99.5	92	11.3	40	51.3	NG1-70mm
75	107	97	11.3	40	51.3	NG1-75mm
80	112	105	12	40	52	NG1-80mm
85	120	110	14	41	55	NG1-85mm
90	127	115	14	45	59	NG1-90mm
95	132	120	14	46	60	NG1-95mm
100	137.0	125.0	14	47	61	NG1-100mm

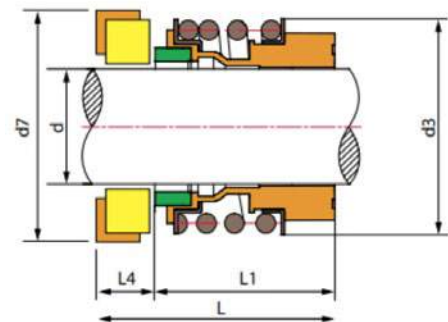


- Rotary Ring (Carbon/SiC/TC)
- Stationary Ring (Ceramic/SiC/TC)
- Secondary Seal (NBR/EPDM/VITON)
- Spring & Other Parts (SUS304)

- Available in CSV (Carbon, Silicon, Viton) or SSV (Silicon, Silicon, Viton)
- Equivalent: MG1
- Operating Limits
 - Pressure: ≤1.2Mpa
 - Speed: ≤10m/s
 - Temperature: -20°C-+120°C

Type NG12

d	d3	d7	L4	L1	L	Part No
12	25	23	6.6	25.9	32.5	NG12-12mm
14	28.5	25	6.6	28.4	35	NG12-14mm
15	28.5	27	6.5	28.5	35	NG12-15mm
16	28.5	27	6.6	28.4	35	NG12-16mm
18	32	33	7.5	30	37.5	NG12-18mm
20	37	35	7.5	30	37.5	NG12-20mm
22	37	37	7.5	30	37.5	NG12-22mm
24	42.5	39	7.5	32.5	40	NG12-24mm
25	42.5	40	7.5	32.5	40	NG12-25mm
28	49	43	7.5	35	42.5	NG12-28mm
30	49	45	7.5	35	42.5	NG12-30mm
32	53.5	48	7.5	35	42.5	NG12-32mm
33	53.5	48	7.5	35	42.5	NG12-33mm
35	57	50	7.5	35	42.5	NG12-35mm
38	59	56	9	36	45	NG12-38mm
40	62	58	9	36	45	NG12-40mm
43	65.5	61	9	36	45	NG12-43mm
45	68	63	9	36	45	NG12-45mm
48	70.5	66	9	36	45	NG12-48mm
50	74	70	9.5	38	47.5	NG12-50mm
53	78.5	73	11	36.5	47.5	NG12-53mm
55	81	75	11	36.5	47.5	NG12-55mm
58	85.5	78	11	41.5	52.5	NG12-58mm
60	88.5	80	11	41.5	52.5	NG12-60mm
65	93.5	85	11	41.5	52.5	NG12-65mm
68	96.5	90	11.3	41.2	52.5	NG12-68mm
70	99.5	92	11.3	48.7	60	NG12-70mm
75	107	97	11.3	48.7	60	NG12-75mm
80	112	105	12	48	60	NG12-80mm
85	120	110	14	46	60	NG12-85mm
90	127	115	14	51	65	NG12-90mm
95	132	120	14	51	65	NG12-95mm
100	137	125	14	51	65	NG12-100mm



- Rotary Ring (Carbon/SiC/TC)
- Stationary Ring (Ceramic/SiC/TC)
- Secondary Seal (NBR/EPDM/VITON)
ng & Other Parts (SUS304/SUS316)

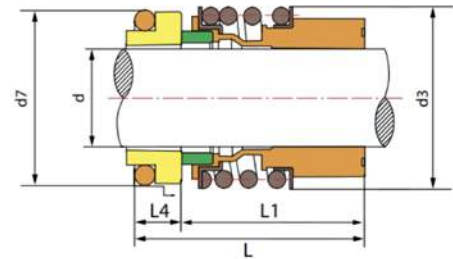
- Available in CSV (Carbon, Silicon, Viton) or SSV (Silicon, Silicon, Viton)
- Equivalent: MG12
- Operating Limits
 - Pressure: $\leq 1.2\text{Mpa}$
 - Speed: $\leq 10\text{m/s}$
 - Temperature: -20°C - $+120^{\circ}\text{C}$

NUMBAT
MECHANICAL SEALS

Type NG13

d	d3	d7	L4	L1	L	Part No
12	24.5	23	6.6	33.5	40.1	NG13-12mm
12	22	23	8.5	25.5	34	NG13G-12mm
16	28	27	6.6	33.5	40.1	NG13-16mm
16	26.3	27	9.8	31	40.8	NG13G-16mm
16	26.3	27	9	25.5	34.5	NG13G-16mm S
22	37	37	7.5	37.7	45	NG13-22mm
28	49	43	7.5	42.7	50.2	NG13-28mm
33	53	48	7.5	47.7	55.2	NG13-33mm
35	57	50	7.5	47.7	55.2	NG13-35mm
38	59	56	9	46.2	55.2	NG13-38mm
40	62	58	9	46.2	55.2	NG13-40mm
43	65.5	61	9	51.2	60.2	NG13-43mm
45	68	63	9	51.2	60.2	NG13-45mm
48	70	66	10	51.2	61.2	NG13-48mm
50	73.5	70	9.5	50.7	60.2	NG13-50mm
55	80.5	75	12	59.2	71.2	NG13-55mm

- Available in CSV (Carbon, Silicon, Viton) or SSV (Silicon, Silicon, Viton)
- Equivalent: MG13, N4
- Operating Limits
 - Pressure: $\leq 1.2\text{Mpa}$
 - Speed: $\leq 10\text{m/s}$
 - Temperature: -20°C - $+180^{\circ}\text{C}$



- Rotary Ring(Carbon/SiC)
- Stationary Ring(Ceramic/SiC/TC)
- Secondary Seal(NBR/EPDM/VITON)
- Retainer(SUS304)
- Spring(SUS304)
- Spring Holder(SUS304)

Type N26

Description	Part No
To suit Grundfos CM 1-5 pumps	N26-12mm CM
To suit Grundfos CM 10-25 pumps	N26-16mm CM



Type N3

d	d3	d7	L	Part No
12	25	29	55	N3-12mm
16	30.5	34	57.5	N3-16mm
22	42	50	70	N3-22mm

- Available in SSV (Silicon, Silicon, Viton)
- Operating Limits
 - Pressure: $\leq 1.0\text{Mpa}$
 - Speed: $\leq 10\text{m/s}$
 - Temperature: -30°C - $+180^{\circ}\text{C}$



- Rotary Ring (SiC/TC)
- Stationary Ring (SiC/TC)
- Secondary Seal (NBR/VITON)
- Spring & Other Parts (SUS316)

Type N3RD

d	d3	d7	L	Part No
12	25	31.5	56	N3RD-12mm
16	30.5	34	59	N3RD-16mm
22	42	50	73	N3RD-22mm



Type N3LU

d	d3	d7	L	Part No
12	25.3	29	55	N3LU-12mm
16	30.9	34	57.5	N3LU-16mm

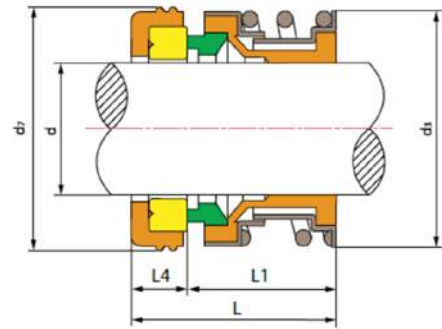


NUMBAT
MECHANICAL SEALS

Type N6

d	d3	d7	L4	L1	L	Part No
9.52	23.8	22.225	6.2	16.02	22.22	N6-3/8"
12.7	26.97	25.4	8	16.6	24.6	N6-1/2"
15.875	30.94	31.75	10.3	18.2	28.5	N6-5/8"
15.875	30.94	31.75	10.3	18.2	28.5	N6-5/8" PAC
15.875	30.94	30	8.5	18.2	26.7	N6-5/8" OC
15.875	30.94	38	6.9	18.2	25.1	N6-5/8" TC
19.05	34.11	35	5	18.2	23.2	N6-3/4" CA
19.05	34.11	34.925	10.3	18.2	28.5	N6-3/4"
19.05	34.11	34.925	10.3	18.2	25.1	N6-3/4" PAC
19.05	34.11	38	6.9	18.2	25.1	N6-3/4" TC
22.225	36.3	38.1	10.3	20.1	30.94	N6-7/8"
25.4	42.85	41.275	11.1	20.63	31.73	N6-1"
25.4	42.85	41.275	11.1	20.63	31.73	N6-1" PAC

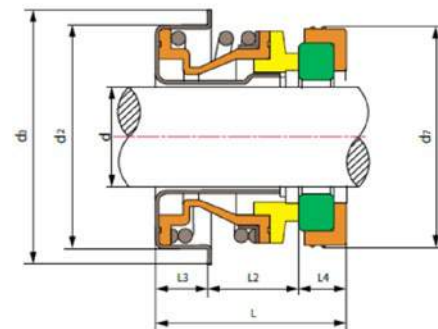
- Available in CCN (Carbon, Ceramic, Nitrile) or CCV (Carbon, Ceramic, Viton) or SSV (Silicon, Silicon, Viton)
- Operating Limits
 - Pressure: $\leq 1\text{Mpa}$
 - Speed: $\leq 10\text{m/s}$
 - Temperature: -30°C - $+200^{\circ}\text{C}$



- Rotary Ring(Plastic Carbon/Carbon/SiC/TC)
- Stationary Ring(Ceramic/SiC/TC)
- Secondary Seal(NBR/EPDM/VITON)
- Spring & Other Parts(SUS304)

Type N7

d	d2	d3	d7	L	L4	L3	L2	Part No
12		26	25	20.8	5	8	6	N7-½"FT
12.7	28.57		25.4	19.2	8	8	5	N7-½"
12	30		25	18	5	8	5	N7-½" M
12.7		32	25.4	21.8	5	9	5.2	N7-½"DC
12.7	28.75		24		5.5	8	5.5	N7-½"HC
15.875	36.5		31.75	25	10.3	8	6.7	N7-⅝"
15.875		41	31.75	27.1	10.3	9	7.8	N7-⅝"DC
16	36.5		31.75		5	9	7.8	N7-⅝"FB
16		41	31.75	21.8	5	9	7.8	N7-⅝"FC
16	40		38		6.5	9	7.8	N7-⅝"TC
17		35.2	30	24.5	6.5	8	11	N7-17mm MB
17		35.2	35	23	5	8	11	N7-17mm XP
19.05	40		35	22.7	5.2	12	5.5	N7-¾" PO
19.05	40		34.925	25.8	10.3	10	5.5	N7-¾"
19.05		45	35	22.5	5	12	5.5	N7-¾"PB
20	40		35		5	12	5.5	N7-¾"HC
20	40		38		6.5	12	5.5	N7-¾"TC
25.4	47		41.275	29	11.1	12	5.9	N7-1"
28.57	52		48	27	8	12	8	N7-1 ⅙"
25	52.2		48	25	7	10	8	N7-25mm L
25	46		41.275	29.1	11.1	10	8	N7-25mm PS
25	46		44	25	7	10	8	N7-25mm
30		58	48	29	8	13.3	8	N7-30mm



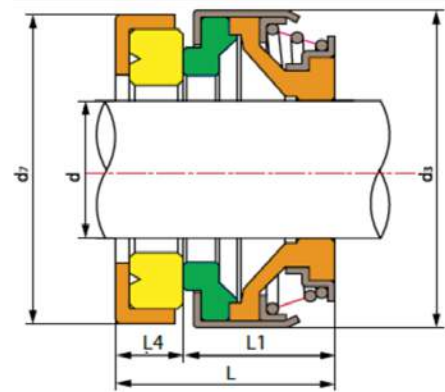
- Rotary Ring(Ceramic/SiC)
- Stationary Ring(Plastic Carbon/Carbon/SiC)
- Secondary Seal (NBR/EPDM/HNBR/VITON)
- Spring & Other Parts (SUS304/SUS316)

- Available in CCN (Carbon, Ceramic, Nitrile) or CCV (Carbon, Ceramic, Viton) or SSV (Silicon, Silicon, Viton)
- Equivalent: T68, T6A, B03
- Operating Limits
 - Pressure: ≤0.3Mpa
 - Rotary Speed: ≤5000r/min
 - Temperature: -30°C~+150°C
 - Medium: clean water, sea water, gas engine antifreeze

NUMBAT
MECHANICAL SEALS

Type N8

d	d3	d7	L4	L1	L	Part No
6	18	22	4	10	14	N8-6mm
8	18	22	4	11	15	N8-8mm S
8	20	26	5.5	11	16.5	N8-8mm M
8	20	26	8	11	17	N8-8mm
10	24	26	8	11	19	N8-10mm
11	24	26	8	13	21	N8-11mm
12	24	26	5.5	13	18.5	N8-12mm JS
12	24	26	8	13	21	N8-12mm
12.5	24	25.4	6.5	15	21.5	N8-½"
13	24	26	5.5	13	18.5	N8-13mm CL
13	24	26	8	13	21	N8-13mm
14	28	25	5.5	15.5	21	N8-14mm 25 S
14	28	26	8	13	21	N8-14mm M
14	28	29.5	8	13	21	N8-14mm STD
14	28	25	7	13	20	N8-14mm SPECK
14	28	28	7.5	13	20.5	N8-14mm JT
14	28	28.5	8	13	21	N8-14mm CA
14	28	30	8	13	21	N8-14mm TE
15	28	28.5	8	13	21	N8-15mm S
15	28	30	8	13	21	N8-15mm M
15	28	29.5	8	13	21	N8-15mm STD
15	39	38	8	13	21	N8-15mm L
16	28	29.5	8	13	21	N8-16mm
16	28	30	8	13	21	N8-16mm S
16	28	38	8	13	21	N8-16mm L
17	39	42	8	13	21	N8-17mm
18	39	42	8	13	21	N8-18mm
19	39	42	8	13	21	N8-19mm
20	39	42	8	13	21	N8-20mm
20	42	45	10	13	23	N8-20mm L
22	36	45	10	16.5	26.5	N8-22mm S
22	39	42	8	13	21	N8-22mm M
22	42	50	10	13	23	N8-22mm L
23	47	50	10	13.5	23.5	N8-23mm
24	47	50	10	13.5	23.5	N8-24mm
25	42	39.3	8	13.5	21.5	N8-25mm S
25	42	50	10	13.5	23.5	N8-25mm
26	47	50	10	13.5	23.5	N8-26mm
27	47	50	10	13.5	23.5	N8-27mm
28	54	57	10	15	25	N8-28mm



- Rotary Ring(Plastic Carbon/Carbon/SiC/TC)
- Stationary Ring(Ceramic/SiC/TC)
- Secondary Seal(NBR/EPDM/MTON)
- Spring & Other Parts(SUS304)

Type N8

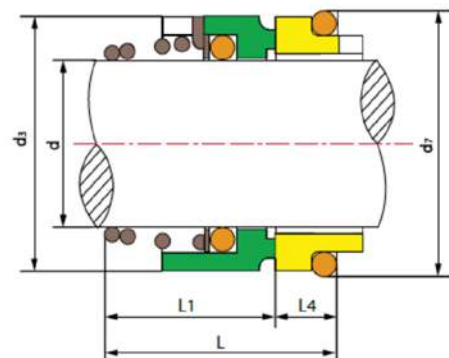
d	d3	d7	L4	L1	L	Part No
30	54	57	10	15	25	N8-30mm
32	54	57	10	15	25	N8-32mm
35	60	63	10	16	26	N8-35mm
38	65	68	12	18	30	N8-38mm
40	65	68	12	18	30	N8-40mm
45	70	73	12	20	32	N8-45mm
50	85	88	15	23	38	N8-50mm
55	85	88	15	23	38	N8-55mm
60	105	110	15	30	45	N8-60mm
65	105	110	15	32	47	N8-65mm
70	105	110	15	32	47	N8-70mm

- Available in CCN (Carbon, Ceramic, Nitrile) or CCV (Carbon, Ceramic, Viton) or SSV (Silicon, Silicon, Viton)
- Equivalent: FA, B01, T55
- Operating Limits
 - Pressure: $\leq 0.6\text{Mpa}$
 - Rotary Speed: $\leq 5000\text{r/min}$
 - Temperature: $-30^{\circ}\text{C}-+200^{\circ}\text{C}$

Type N9

d	d3	d7	L4	L1	L	Part No
22.23	35	38.1	10.3	23.5	33.8	N9- $\frac{7}{8}$ "
25	40	41.3	11	26.5	37.5	N9-25mm

- Available in CCN (Carbon, Ceramic, Nitrile)
- Operating Limits
 - Pressure: $\leq 1\text{Mpa}$
 - Speed: $\leq 15\text{m/s}$
 - Temperature: $-20^{\circ}\text{C}-+180^{\circ}\text{C}$

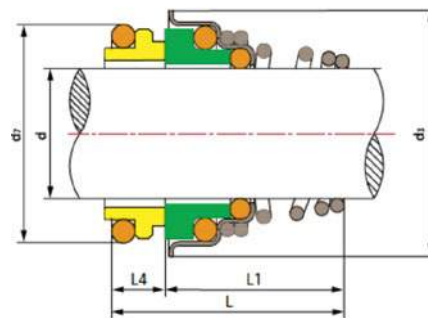


- Rotary Ring(Carbon/SiC/TC)
- Stationary Ring(99%Ceramic/SiC/TC)
- Secondary Seal (NBR/EPDM/VITON/PTFE)
- Spring & Other Parts (SUS304)

NUMBAT
MECHANICAL SEALS

Type N10

d	d3	d7	L4	L1	L	Part No
10	20	18.1	5.5	15	20.5	N10-10mm
12	22	20.6	5.5	18	23.5	N10-12mm
13	25	23.1	6	22	28	N10-13mm
14	25	23.1	6	22	28	N10-14mm
14	25	23.1	6	18	24	N10-14mm LA
15	29	26.9	7	23	30	N10-15mm
16	29	26.9	7	23	30	N10-16mm
17	29	26.9	7	23	30	N10-17mm
17	29	30	7.4	23	30.8	N10-17mm BI
18	33	30.9	8	24	32	N10-18mm
19	33	30.9	8	25.2	33.2	N10-19mm
20	33	30.9	8	25	33	N10-20mm
21	38	35.4	8	25	33	N10-21mm
22	38	35.4	8	25	33	N10-22mm
23	38	35.4	8	27	35	N10-23mm
24	38	35.4	8	27	35	N10-24mm
25	40	38.2	8.5	27	35.5	N10-25mm
28	46	43.3	9	30	39	N10-28mm
29	46	43.3	9	30	39	N10-29mm
30	46	43.3	9	30	39	N10-30mm
32	46	43.3	9	30	39	N10-32mm
33	50	53.5	11.5	39	50.5	N10-33mm
35	50	53.5	11.5	39	50.5	N10-35mm
38	60.5	60.5	11.5	39	50.5	N10-38mm
40	60.5	60.5	11.5	39	50.5	N10-40mm



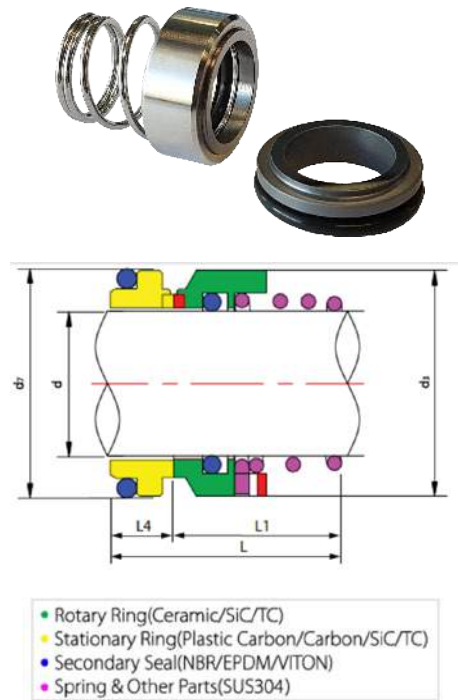
- Rotary Ring(Ceramic/SiC/TC)
- Stationary Ring(Plastic Carbon/Carbon/SiC/TC)
- Secondary Seal(NBR/EPDM/VITON)
- Spring & Other Parts(SUS304)

- Available in CCN (Carbon, Ceramic, Nitrile) or CCV (Carbon, Ceramic, Viton) or SSV (Silicon, Silicon, Viton)
- Equivalent: R3, Simplex
- Operating Limits
 - Pressure: $\leq 1\text{Mpa}$
 - Speed: $\leq 1.5\text{m/s}$
 - Temperature: -30°C - $+200^{\circ}\text{C}$

Type NR10

d	d3	d7	L4	L1	L	Part No
12	20	20.6	5.5	18.2	23.7	NR10-12mm
14	23	23.1	6	22.2	28.2	NR10-14mm
18	29	30.9	8	24.2	32.2	NR10-18mm
20	30	30.9	8	25.2	33.2	NR10-20mm
22	34	35.4	8	25.2	33.2	NR10-22mm
24	35	35.4	8	27.2	35.2	NR10-24mm
25	37	38.2	8.5	27.2	35.7	NR10-25mm
30	43	43.3	9	30	39	NR10-30mm
32	45	43.3	9	30.2	39.2	NR10-32mm
40	56	60.5	11.5	39.2	50.7	NR10-40mm

- Available in TCSV (Tungsten, Carbon, Silicon, Viton)
- Operating Limits
 - Pressure: $\leq 1\text{Mpa}$
 - Speed: $\leq 1.5\text{m/s}$
 - Temperature: -30°C - $+200^{\circ}\text{C}$



Type N156

d	d3	d7	L4	L1	L	Part No
13	22.5	26	7	17	24	N156-13mm
25	37.5	44	9	24	33	N156-25mm
30	44.5	50	9	26	35	N165-30mm



Type N32

d	d3	d7	L4	L1	L	Part No
12.0	19	23	8	33.5	41.5	N32-12mm

- Available in CSV (Carbon, Silicon, Viton)



Type N36B

d	d3	d7	L4	L1	L	Part No
16	26	27	9	32	41	N36B-16mm

- Available in SSV (Silicon, Silicon, Viton)



NUMBAT
MECHANICAL SEALS

Type N103

d	d3	d7	L4	L1	L	Part No
12	22.7	26	5.5	15	20.5	N103-12mm
14	22.7	30	7	13.5	20.5	N103-14mm



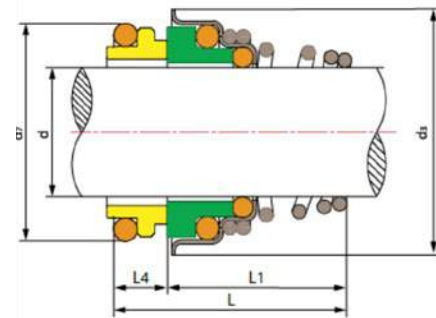
Type N104

d	d3	d7	L4	L1	L	Part No
14	24.2	26	7	18	25	N104-14mm
19	33.2	36	7	18	25	N104-19mm
20	33.2	36	7	18	25	N104-20mm



Type NU3

d	d3	d7	L4	L1	L	Part No
10	20	21	7	15	22	NU3-10mm
12	22	23	7	18	25	NU3-12mm
14	25	25	7	22	28	NU3-14mm
16	29	27	7	25	30	NU3-16mm
18	33	33	10	24	34	NU3-18mm
20	33	35	10	25	35	NU3-20mm
22	38	37	10	25	35	NU3-22mm
24	38	39	10	27	37	NU3-24mm
25	40	40	10	27	37	NU3-25mm
28	46	43	10	29	39	NU3-28mm
30	46	45	10	30	40	NU3-30mm
32	46	48	10	30	40	NU3-32mm
33	48	48	10	39	49	NU3-33mm
35	50	50	10	39	49	NU3-35mm
38	58	56	13	42	55	NU3-38mm
40	58	58	13	42	55	NU3-40mm



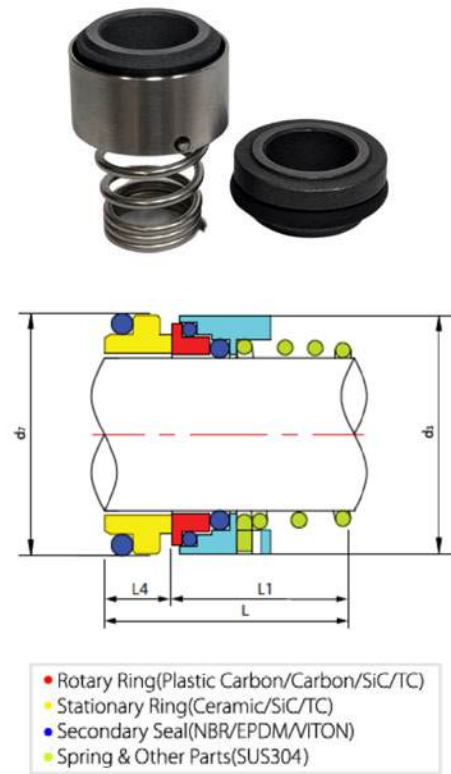
- Rotary Ring(Ceramic/SiC/TC)
- Stationary Ring(Plastic Carbon/Carbon/SiC/TC)
- Secondary Seal(NBR/EPDM/VITON)
- Spring & Other Parts(SUS304)

- Available in CCN (Carbon, Ceramic, Nitrile) or SSV (Silicon, Silicon, Viton)
- Equivalent: Uniten
- Operating Limits
 - Pressure: ≤1Mpa
 - Speed: ≤15m/s
 - Temperature: -30°C-+200°C

Type NU5

d	d3	d7	L1	L4	L	Part No
12	22	23	22	8.4	30.4	NU5-12mm L
16	28	26.9	25	9	34	NU5-16mm
14	25	25	6.8	23.5	30.3	NU5-14mm F
20	19.8	27	6.8	30.2	37	NU5K-16/20 S/C/EP
22	37	35.4	30.2	8	38.2	NU5-22mm
22	42.8	37	39.5	12.3	51.8	NU5-22mm L52
25	40.5	38.2	33.2	8.5	41.7	NU5-25mm

- Available in SCV (Silicon, Carbon, Viton)
- Operating Limits
 - Pressure: $\leq 1\text{Mpa}$
 - Speed: $\leq 12\text{m/s}$
 - Temperature: -30°C - $+200^{\circ}\text{C}$

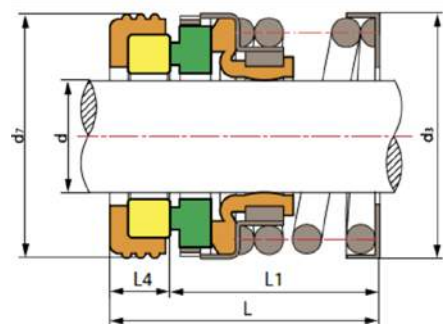


NU5-22mm L52

NUMBAT
MECHANICAL SEALS

Type N21 (Imperial)

d	d3	d7	L4	L1	L	Part No
9.52	23.5	22.23	6.3	22.5	28.5	N21-3/8"
12.7	26	25.4	7.9	22.5	30.1	N21-1/2"
15.875	30	31.75	10.3	22.5	32.5	N21-5/8"
15.875	30	31.75	10.3	22.5	32.5	N21-5/8" LH
19.05	32.5	34.93	10.3	22.5	32.5	N21-3/4"
22.225	37.5	38.1	10.3	23.8	34.1	N21-7/8"
22.225	33.34	37.3	10.3	23.8	34.1	N21-7/8" NSS
25.4	44	41.28	11.1	25.4	36.5	N21-1"
25.4	39	41.28	11.1	25.4	36.5	N21-1" E1 SSV
28.575	48	44.45	11.1	27	38.1	N21-1 1/8"
28.58	48	44.35	11.6	27	38.6	N21-1 1/8" NSS
28.575	46.02	47.65	11.9	26.97	38.87	N21-1 1/8" RSS
31.75	50	47.63	11.1	27	38.1	N21-1 1/4"
31.75	46	47.7	9	25	34	N21-1 1/4" MC
34.925	54.5	50.8	11.1	28.6	39.7	N21-1 3/8"
34.93	51.5	50.83	7.3	25	32.3	N21-1 3/8" NSS
34.925	52.37	54	11.9	28.58	40.48	N21-1 3/8" RSS
38.1	58.5	53.98	11.1	28.6	39.7	N21-1 1/2"
41.275	64	60.33	12.7	34.9	47.6	N21-1 5/8"
41.28	64	57	12.7	35	47.7	N21-1 5/8" NSS
41.275	63.5	60.35	11.9	34.93	46.83	N21-1 5/8" RSS
44.45	67	63.5	12.7	34.9	47.6	N21-1 3/4"
47.625	71	66.68	12.7	38.1	50.8	N21-1 7/8"
50.8	73.5	69.85	12.7	38.1	50.8	N21-2"
50.8	73.03	69.85	13.5	38.1	51.6	N21-2" RSS
54.975	75.6	76.2	14.3	42.9	57.2	N21-2 1/8"
57.15	80	79.38	14.3	42.9	57.2	N21-2 1/4"
60.325	79.6	82.55	14.3	42.9	57.2	N21-2 3/8"
63.5	84.9	82.73	14.3	46	60.3	N21-2 1/2"
66.675	84.6	85.725	15.9	49.2	65.1	N21-2 5/8"
66.85	93	88.9	15.9	49.2	65.1	N21-2 3/4"
76.2	102	98.425	15.9	52.4	68.3	N21-3"

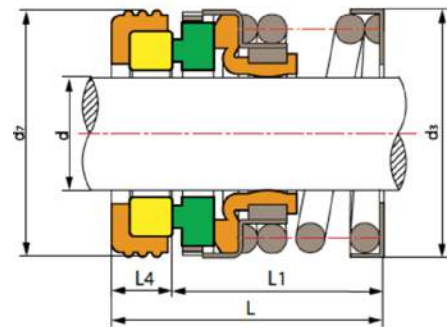


- Rotary Ring(Plastic Carbon/Carbon/SiC/TC)
- Stationary Ring(Ceramic/SiC/TC)
- Secondary Seal(NBR/EPDM/VITON)
- Spring & Other Parts(SUS304)

- Available in CCN (Carbon, Ceramic, Nitrile) or CCV (Carbon, Carbon, Viton) or SSV (Silicon, Silicon, Viton)
- Equivalent: T21, E43, Type 1 & Type 2 available
- Operating Limits
 - Pressure: ≤1Mpa
 - Speed: ≤12m/s
 - Temperature: -30°C-+200°C

Type N21 (Metric)

d	d3	d7	L4	L1	L	Part No
10	20.6	21	6	26.5	32.5	N21-10mm
12	22	23	6.6	25.9	32.5	N21-12mm
14	24	25	8	27	35	N21-14mm
16	26	27	8	27	35	N21-16mm
18	32	33	10	27.5	37.5	N21-18mm
20	34	35	10	27.5	37.5	N21-20mm
22	37	37	10	27.5	37.5	N21-22mm
24	39	39	10	30	40	N21-24mm
24	39	41.3	10.5	29.5	40	N21-24MM IMP
24	39	47.5	11	30	41	N21-24mm ER
25	39	40	10	30	40	N21-25mm
28	42	43	10	32.5	42.5	N21-28mm
30	44	45	10	32.5	42.5	N21-30mm
32	47	48	10	32.5	42.5	N21-32mm
32	47	47.7	11	31.5	42.5	N21-32MM IMP
32	47	50	9.5	30.5	40	N21-32mm P/C
32	47	60	11	32.5	21.5	N21-32mm ER
33	47	48	10	32.5	42.5	N21-33mm
35	49	50	10.5	32	42.5	N21-35mm
38	54	56	11	34	45	N21-38mm
38	52.2	56	8	34	26	N21-38mm GAAM
40	56	58	10.5	34.5	45	N21-40mm
43	59	61	12.7	32.5	45	N21-43mm
44	62.5	66	11	32.5	43.5	N21-44mm
44	62.5	63.5	11	32.5	43.5	N21-44MM IMP
44	62.5	75	9.5	32.5	42	N21-44mm ER
45	62	63	10.5	34.5	45	N21-45mm
48	64	66	10.5	34.5	45	N21-48mm
48	64	69.9	12.7	32.3	45	N21-48mm MG
50	66	70	11	36.5	47.5	N21-50mm
50	66	78	12.7	34.8	47.5	N21-50mm L/X
53	69	73	11.5	36	47.5	N21-53mm
55	72	75	12	35.5	47.5	N21-55mm
58	80	78	12	40.5	52.5	N21-58mm
60	80	80	12	40.5	52.5	N21-60mm
60	80	82.55	12.7	39.8	52.5	N21-60mm ET
63	83	83	12	40.5	52.5	N21-63mm
65	85	85	13	39.5	52.5	N21-65mm
68	88	90	11.3	41.2	52.5	N21-68mm
70	90	92	11.3	48.7	60	N21-70mm



- Rotary Ring(Plastic Carbon/Carbon/SiC/TC)
- Stationary Ring(Ceramic/SiC/TC)
- Secondary Seal(NBR/EPDM/VITON)
- Spring & Other Parts(SUS304)

NUMBAT
MECHANICAL SEALS

Type N21 (Metric)

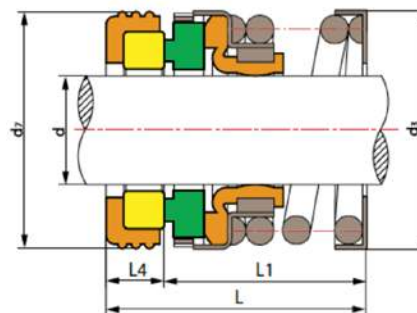
d	d3	d7	L4	L1	L	Part No
73	99	93	11.3	48.7	60	N21-73mm
75	99	97	11.3	48.7	60	N21-75mm

- Available in CCN (Carbon, Ceramic, Nitrile) or CCV (Carbon, Carbon, Viton) or SSV (Silicon, Silicon, Viton)
- Equivalent: 521, 52, E43DIN
- Operating Limits
 - Pressure: ≤1Mpa
 - Speed: ≤12m/s
 - Temperature: -30°C-+200°C

Type N560

d	d3	d7	L4	L1	L	Part No
10	23.5	24	7	18	25	N560-10mm
11	23.5	24	7	18	25	N560-11mm
12	26	26	7	18	25	N560-12mm
14	28	28	7	18.5	25.5	N560-14mm
15	30	28	7	22.5	29.5	N560-15mm
16	32	32	10	23.5	33.5	N560-16mm
18	32.5	35	10	26.5	36.5	N560-18mm
19	32.5	35	10	26.5	36.5	N560-19mm
20	35.5	38	10	28	38	N560-20mm
22	37.5	40	10	30.3	40.3	N560-22mm
25	42	44	10	29.3	39.3	N560-25mm
28	47	46	10	30	40	N560-28mm
30	48	50	10	30	40	N560-30mm
32	50	54	10	30	40	N560-32mm
35	54.5	58	10	32	42	N560-35mm
38	58.5	60	10	32.6	42.6	N560-38mm
40	62.5	64	10	32.6	42.6	N560-40mm
45	66.5	66	10	35	45	N560-45mm
50	72.5	72	11.5	43.1	54.6	N560-50mm
55	72	75	12	47.4	50.4	N560-55mm
60	80	80	12	51	63	N560-60mm
65	85	85	13	51	64	N560-65mm
70	92	92	11	49	60	N560-70mm

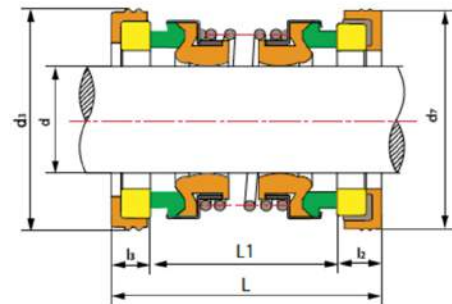
- Available in CCN (Carbon, Ceramic, Nitrile) or CCV (Carbon, Carbon, Viton) or SSV (Silicon, Silicon, Viton)
- Equivalent: EA560
- Operating Limits
 - Pressure: ≤1Mpa
 - Speed: ≤12m/s
 - Temperature: -30°C-+200°C



- Rotary Ring(Plastic Carbon/Carbon/SiC/TC)
- Stationary Ring(Ceramic/SiC/TC)
- Secondary Seal(NBR/EPDM/VITON)
- Spring & Other Parts(SUS304)

Type N560D

d	d3	d7	L1	L2	L3	L	Part No
13	25	25	36	5	5	46	N560D-13mm
14	30	30	37	5	5	47	N560D-14mm
15	30	30	37	5	5	47	N560D-15mm
16	30	30	37	5	5	47	N560D-16mm
18	35	38	49	7	10	66	N560D-18mm
19	35	38	49	7	10	66	N560D-19mm
20	38	44	49	7	7	63	N560D-20mm
20	38	38	50	7.5	8.6	66.1	N560D-20mm
24	39	44	51	7	7	65	N560D-24mm
24	38	50	51	8	8.6	67.6	N560D-24mm
25	44	50	51	7	7	60.8	N560D-25mm
25	44	44	50	8	8.6	66.6	N560D-25mm
30	44	57	60	10.7	10.7	81.4	N560D-30mm
30	50	57	60	8	9	77	N560D-30mm
35	57	58	60	11	10	81	N560D-30/35mm
35	54	64	60	9	9	78	N560D-35mm
35	58	58	60	10.7	10.7	81.4	N560D-35mm
40	68	70	65	12	12	89	N560D-40mm
40	64	70	65	11	9	85	N560D-40mm
45	66	70	65	10	9	84	N560D-45mm
50	72	80	69	10	9	88	N560D-50mm



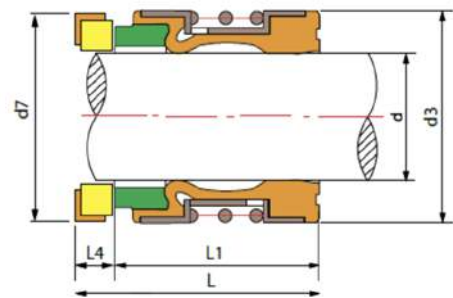
- Rotary Ring(Plastic Carbon/Carbon/SiC/TC)
- Stationary Ring(Ceramic/SiC/TC)
- Secondary Ring(NBR/EPDM/VITON)
- Spring and Other Parts(SUS304)

- Available in CCN (Carbon, Ceramic, Nitrile) or CCV (Carbon, Carbon, Viton) or SSV (Silicon, Silicon, Viton)
- Operating Limits
 - Pressure: $\leq 0.3\text{Mpa}$
 - Speed: $\leq 1\text{m/s}$
 - Temperature: -30°C - $+200^{\circ}\text{C}$

NUMBAT
MECHANICAL SEALS

Type N2100

d	d3	d7	L1	L4	L	Part No
10	20	21	15	5	21	N2100-10mm
12	22	23	15	6	21	N2100-12mm
14	24	25	15	6	21	N2100-14mm
15	25	26	15	6	21	N2100-15mm
16	26	27	15	6	21	N2100-16mm
18	32	33	20	6	26	N2100-18mm
20	34	35	20	6	26	N2100-20mm
22	36	37	20	6	26	N2100-22mm
24	38	39	20	6	26	N2100-24mm
25	39	40	20	6	26	N2100-25mm
28	42	43	26	6	33	N2100-28mm
30	44	45	26	7	33	N2100-30mm
32	46	48	26	7	33	N2100-32mm
33	47	48	26	7	33	N2100-33mm
35	49	50	26	8	34	N2100-35mm
38	54	56	30	8	38	N2100-38mm
40	56	58	30	8	38	N2100-40mm
43	59	61	30	8	38	N2100-43mm
45	61	63	30	8	38	N2100-45mm
48	64	66	30	10	40	N2100-48mm
50	66	70	30	10	40	N2100-50mm
53	69	73	30	10	40	N2100-53mm
55	71	75	30	10	40	N2100-55mm
58	78	78	33	10	43	N2100-58mm
60	80	80	33	12.7	45.7	N2100-60mm
63	83	83	33	12.7	45.7	N2100-63mm
65	85	85	33	12.7	45.7	N2100-65mm
68	88	90	33	12	45	N2100-68mm
70	90	92	33	12.7	45.7	N2100-70mm
75	99	97	40	12.7	52.7	N2100-75mm
80	104	105	40	14	54	N2100-80mm
85	109	110	40	14	54	N2100-85mm
90	114	115	40	14	54	N2100-90mm
95	119	120	40	14	54	N2100-95mm
100	124	125	40	14	54	N2100-100mm

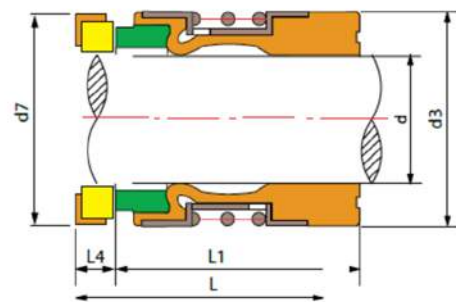


- Rotary Ring(Carbon/SiC/TC)
- Stationary Ring(Ceramic/SiC/TC)
- Secondary Seal(NBR/EPDM/VITON)
- Spring & Other Parts(SUS304)

- Available in CCN (Carbon, Ceramic, Nitrile) or CSV (Carbon, Silicon, Viton) or SSV (Silicon, Silicon, Viton)
- Equivalent: HCl, B05, B052
- Operating Limits
 - Pressure: $\leq 1.6\text{Mpa}$
 - Speed: $\leq 15\text{m/s}$
 - Temperature: -30°C - $+150^{\circ}\text{C}$

Type N2100K

d	d3	d7	L1	L4	L	Part No
10	20	21	27.5	5	32.5	N2100K-10mm
12	22	23	26.5	6	32.5	N2100K-12mm
14	24	25	29	6	35	N2100K-14mm
15	25	26	29	6	35	N2100K-15mm
16	26	27	29	6	35	N2100K-16mm
18	32	33	31.5	6	37.5	N2100K-18mm
20	34	35	31.5	6	37.5	N2100K-20mm
22	36	37	31.5	6	37.5	N2100K-22mm
24	38	39	34	6	40	N2100K-24mm
25	39	40	34	6	40	N2100K-25mm
28	42	43	36.5	6	42.5	N2100K-28mm
30	44	45	35.5	7	42.5	N2100K-30mm
32	46	48	35.5	7	42.5	N2100K-32mm
33	47	48	35.5	7	42.5	N2100K-33mm
35	49	50	34.5	8	42.5	N2100K-35mm
38	54	56	37	8	45	N2100K-38mm
40	56	58	37	8	45	N2100K-40mm
43	59	61	37	8	45	N2100K-43mm
45	61	63	37	8	45	N2100K-45mm
48	64	66	37	10	45	N2100K-48mm
50	66	70	37.5	10	47.5	N2100K-50mm
53	69	73	37.5	10	47.5	N2100K-53mm
55	71	75	37.5	10	47.5	N2100K-55mm
58	78	78	42.5	10	52.5	N2100K-58mm
60	80	80	40.5	12	52.5	N2100K-60mm
63	83	83	40.5	12	52.5	N2100K-63mm
65	85	85	40.5	12	52.5	N2100K-65mm
68	88	90	40.5	12	52.5	N2100K-68mm
70	90	92	48	12	60	N2100K-70mm
75	99	97	48	12	60	N2100K-75mm
80	104	105	47.5	14	61.5	N2100K-80mm
85	109	110	47.5	14	61.5	N2100K-85mm
90	114	115	52.5	14	66.5	N2100K-90mm
95	119	120	52.5	14	66.5	N2100K-95mm
100	124	125	52.5	14	66.5	N2100K-100mm



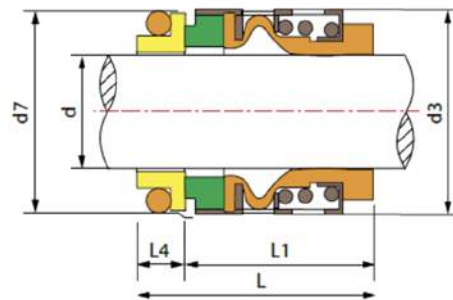
- Rotary Ring(Carbon/SiC/TC)
- Stationary Ring(Ceramic/SiC/TC)
- Secondary Seal(NBR/EPDM/VITON)
- Spring & Other Parts(SUS304)

- Available in CCN (Carbon, Ceramic, Nitrile) or CSV (Carbon, Silicon, Viton) or SSV (Silicon, Silicon, Viton)
- Equivalent: HC12, B05, B052
- Operating Limits
 - Pressure: $\leq 1.6\text{Mpa}$
 - Speed: $\leq 15\text{m/s}$
 - Temperature: -30°C - $+150^{\circ}\text{C}$

NUMBAT
MECHANICAL SEALS

Type N502

d	d3	d7	L1	L4	L	Part No
12	22.6	22.5	20.5	12	32.5	N502-12mm
14	24	25	23	12	35	N502-14mm
16	26	27	23	12	35	N502-16mm
18	32	33	24	13.5	37.5	N502-18mm
20	34	35	24	13.5	37.5	N502-20mm
22	36	37	26.5	13.5	37.5	N502-22mm
24	38	39	26.7	13.3	40	N502-24mm
25	39	40	27	13	40	N502-25mm
28	42	43	30	12.5	42.5	N502-28mm
30	44	45	30.5	12	42.5	N502-30mm
32	46	48	30.5	12	42.5	N502-32mm
33	47	48	30.5	12	42.5	N502-33mm
35	49	50	30.5	12	42.5	N502-35mm
38	54	56	32	13	45	N502-38mm
40	56	58	32	13	45	N502-40mm
43	59	61	32	13	45	N502-43mm
45	61	63	32	13	45	N502-45mm
48	64	66	32	13	45	N502-48mm
50	66	70	34	13.5	47.5	N502-50mm
53	69	73	34	13.5	47.5	N502-53mm
55	71	75	34	13.5	47.5	N502-55mm
58	78	78	39	13.5	52.5	N502-58mm
60	80	80	39	13.5	52.5	N502-60mm
63	83	83	39	13.5	52.5	N502-63mm
65	85	85	39	13.5	52.5	N502-65mm
68	88	90	39	13.5	52.5	N502-68mm
70	89	92	45.5	14.5	60	N502-70mm
75	96	97	45.5	14.5	60	N502-75mm
80	104	105	45	15	60	N502-80mm
85	108	110	45	15	60	N502-85mm
90	114	115	50	15	65	N502-90mm
95	118	120	50	15	65	N502-95mm
100	124	125	50	15	65	N502-100mm



- Rotary Ring (Carbon/SiC/TC)
- Stationary Ring (99%Ceramic/SiC/TC)
- Secondary Seal(VITON/NBR/EPDM)
- Spring & Other Parts (SUS304)

- Available in CCN (Carbon, Ceramic, Nitrile) or CCV (Carbon, Carbon, Viton) or SSV (Silicon, Silicon, Viton)
- Equivalent: B07
- Operating Limits
 - Pressure: ≤4Mpa
 - Speed: ≤13m/s
 - Temperature: -30°C-+200°C

Dairy/Spray Nozzles

Teat Spray Guns

Item	Part No
Teat Spray - Short	TTSS
Teat Spray - Long	TTSL
Teat Spray - Extra Long	TTLR

- Has a moulded nozzle with a short, long or extra long arm
- Nozzle gives a cone spray effect



Jet Spray Gun

Part No
NZJS1

- Adjustable trigger nozzle
- Brass flow control nut
- Soft rubber moulded for comfortable grip
- For use with hot or cold water
- Supplied with hose tail and strainer
- Protective nozzle cap



Heavy Duty Washdown Gun

Part No
HDW-20

- Brass & stainless steel construction
- Protective rubber casing
- Maximum pressure: 350 psi
- Working pressure: 233 psi
- Temperature range: -10°C - 80°C
- 3/4" BSPF



Washdown Gun Accessories

Item	Description	Part No
Retractable Hose	8mm Polyamide Tube	TTRH
Service Kit	To suit Telby Guns	TTSK
Spray Head	To suit Telby Guns	TTCSH

Annexure “A” general terms and conditions for sale

All quotations and contracts are subject to the following conditions

1. **SELLER** means **SOUTHERN PUMPING SPECIALISTS PTY LTD ACN 116 103 756** and **BUYER** means the Buyer whose order for the purchase of goods is accepted by Seller.
2. **ACCEPTANCE OF BUYER'S ORDER:** These terms and conditions shall apply to every sales contract and sale of goods between Seller and Buyer. Any terms and conditions of Buyer's order deviating from or inconsistent with these terms and conditions are expressly rejected by Seller. This rejection also extends to any statement by Buyer that Buyer's terms and conditions shall prevail and to any stipulation by the Buyer as to the manner of declaring such rejection. A contract shall only be deemed to have been entered into between Seller and Buyer for the supply of goods when, upon an order having been placed upon Seller for goods, that order has been accepted by Seller. Such acceptance or order may be made and communicated by Seller in writing or by overt act of acceptance. The provisions of this Clause 2 shall apply to every quotation or offer by Seller for the supply of goods.
3. **PRICES:** Quotations are to be treated as estimates only and subject to withdrawal, correction and alteration at any time before acceptance of Buyer's order by Seller. Prices are ex Seller's Warehouse unless otherwise agreed in writing.
4. **GOODS AND SERVICES TAX:**
 - a) In this clause:
“GST” refers to goods and services tax under the A Tax System (Goods and Services) Act 1999 ('GST Act'). The terms used herein have the meanings contained within the GST Act.
 - b) It is hereby agreed between Seller and Buyer that the consideration for the supply expressed in this agreement is exclusive of Seller's liability for GST.
 - c) On Sale
 - i. Buyer will pay to Seller, in addition to the total purchase price, the amount payable by Seller as GST on the taxable supply made by seller under this agreement:
 - ii. Seller shall deliver to Buyer a tax invoice for the supply in a form which complies with the GST Act and regulations.
5. **INSURANCE:** Buyer is responsible to effect whatever insurance cover he requires at his expense.
6. **PAYMENT:** One third (33%) deposit to accompany official order with progress payments as requested and balance on completion or on advice from Seller that completed goods are ready for delivery. If Seller shall extend credit to Buyer payment for all goods sold will be within Thirty (30) days from the last day of the month in which each delivery was made. Interest shall be payable by Buyer on all amounts overdue to Seller at the rate of Two (2) per centum per month.
7. **CONFIRMATION ORDERS:** Orders confirming a prior order must be marked as such by Buyer. If not, Seller will consider Buyer's order as additional.
8. **CANCELLATION:** Orders accepted by Seller cannot be countermanded or delivery deferred or goods returned except with the written consent of Seller upon terms that reimburse and indemnify Seller against all loss including cartage, bank charges and other incidental expenses on any part of the order that is cancelled. Where Seller agrees to accept goods for return, a restocking charge of 20% of the price of the goods returned will be made.
9. **ACCEPTANCE AND CLAIMS:** Acceptance of the goods delivered, shall be deemed for all purposes to have taken place at the expiration of seven (7) days from the date of each delivery.
10. **DELIVERY AND RISK:**
 - a) Unless Buyer has requested Seller to make special delivery arrangements the risk in respect of the goods shall pass to Buyer upon delivery to Buyer's premises or the nominated carrier's depot. Buyer shall provide or cause to be provided full and clear access for delivery and will at its own expense provide all necessary assistance in unloading the goods at the nominated place of delivery.
 - b) Where Buyer has requested special delivery arrangements (i.e. other than Seller delivering to premises of Buyer) risk in respect of goods shall pass to the Buyer upon the goods leaving the premises of Seller in Unanderra. Seller will not in any circumstances accept liability for damage shortage or loss during transit.
 - c) If delivery of goods by Seller is delayed for a cause other than its own negligence, Buyer shall be liable for extra charges, losses or expenses incurred by Seller and Buyer shall not be entitled to cancel this contract by reason thereof.
 - d) If delivery of goods is delayed due to any circumstances beyond the control of Seller the risk passes to Buyer on the day when the goods were first ready for consignment from the Seller's warehouse and this day is to be regarded as date of delivery for purposes of payment in Clause 6.
11. **SPECIAL ORDERS:** Buyer will place order in writing on Seller for non-stock items. Seller will not accept return of non-stock items unless manufacturer agrees to accept return from Seller. Seller may deduct transport, handling and restocking charges of 20% of the price of the goods from the credit due to Buyer and may also deduct there from reasonable labour costs associated with the restoration of non-stock items to the condition as supplied by manufacturer.
12. **TITLE:** Title in goods shall remain Seller's until it has received in cash the total contract price. Seller may at any time recover the goods if they are in Buyer's possession and resell the goods if any payment owed by Buyer on any accounts is overdue or if Seller considers that the amount outstanding from Buyer on the general statement of account between the parties is in excess of the credit limit Seller is willing to accord to Buyer and for this purpose Seller, its servants or agents may enter upon Buyer's or other premises upon which the goods are situated. Buyer shall hold any proceeds from disposal or sale of goods in trust for Seller until payment in full is received by Seller.

13. SECURITY INTEREST UNDER THE PPSA

- a) "PPSA" means the Personal Properties Securities Act 2009.
- b) Buyer agrees that:
 - i. each order accepted by Seller, being an order accepted under these Term and Conditions, creates a registrable security interest under the PPSA in any goods supplied under it.
 - ii. Buyer acknowledges the right of Seller to register a financing statement under the PSAA with respect to the security interest created by these Terms and Conditions.
 - iii. If Seller registers a security interest under the PSAA, Seller may exercise any or all remedies afforded to Seller as a secured party under it without prejudice to any other rights or remedies arising out of breach by Buyer of any agreement with Seller and
 - iv. The goods are collateral for the purpose of the PPSA.

14. DELIVERY TIME:

Seller may deliver the goods by installments or partial shipments and Buyer will accept each delivery. Requirements of Buyer shall not be a condition or of the essence of the contract. Seller shall be under no liability for direct or consequential loss or damage to Buyer arising from delay or postponement of delivery.

15. WARRANTY:

- a) The Seller shall only be bound by an express warranty or guarantee if same is in writing. Goods sold shall only have the benefit of a manufacturer's warranty if the purchaser has complied with the manufacturer's instructions in relation to maintenance and operation of the said goods.
- b) All guarantees, conditions and warranties, express or implied by law or Statue, are hereby expressly excluded and negated so far as legally permissible.
- c) In the event of any breach of an implied guarantee, warranty or condition which is not excessively excluded from these Terms and Conditions, Seller's liability shall at Seller's option be limited to:
 - i. The repair or replacement of the goods or the supply of equivalent goods; or
 - ii. The cost of such repair, replacement or supply.
- d) Seller is not otherwise liable for any direct, indirect or consequential loss or damage howsoever arising or occurring, whether founded in tort, contract, and statue or otherwise.

16. NO IMPLIED SERVICE: Buyer acknowledges that except as provided by law this agreement does not entitle the Buyer to demand to receive from Seller any site inspection or service of the goods supplied, delivered and installed, if applicable. If Buyer does require Seller's services in respect of site inspection and service of the goods, then Buyer should arrange with Seller to enter a separate agreement in respect of the same. In the event that no separate agreement in relation to site inspection and service is required by Buyer then buyer acknowledges that in the event of the goods supplied requiring to be serviced or inspected due to breakdown or otherwise then Buyer shall rely solely on any benefit in respect of same provided by the manufacturer.

17. AGREED USE: Buyer acknowledges that the matters set out in the schedule hereto are a true description of the purposes for which the goods purchased hereby are to be applied in respect of work required to be performed by such goods and that Buyer may forfeit any rights if any Buyer may have against Seller for the supply of the subject goods if they are applied to any other use. Buyer forfeits any rights or claims against Seller if any alteration to the goods sold or quoted is carried out without Seller's written consent. Buyer further acknowledges sole responsibility for any damage or injury to property or persons caused by using the sold goods to pump or transfer hazardous or toxic fluids or substances.

18. REPAIRS: Goods returned by Buyer to Seller for repair will be free of all charges to Seller at Buyer's risk.

19. PRIVACY: Seller adheres to the National Privacy Principles in respect of any personal information collected from an individual. In respect of such personal information, Seller discloses that:

- a) The identity of Seller and how to contact Seller are set out on the first page of the Application of Credit.
- b) The individual is entitled to access to the personal information collected.
- c) The personal information is collected for the purpose of processing the application for credit and the application for the supply of goods.
- d) The only organisations to which Seller discloses the personal information are credit reporting agencies.
- e) The consequences if the personal information is not provided is that Seller will be unable to process the application for credit and/or the application for supply of goods.

20. VARIATION BY BUYER: Should there be any variation in details, sizes and quantities, delivery instructions or any other item or matter on which the quotation or invoice is based Seller reserves the right to revise and amend the contract price accordingly.

21. COUNCIL APPROVAL: Seller's quotation makes no allowance for building or development application or Fees to Council or relevant approvals for use required by Council or Government Codes. Responsibility is solely on Buyer for such approvals for the goods and their installation or use.

22. CLERICAL ERRORS: Clerical errors in computations, typing or otherwise of catalogue, quotation, acceptance, offer, invoicing, delivery docket, credit note or specification of Seller shall be subject to correction.

23. MODIFICATIONS: All modifications and amendments to these Terms and Conditions shall be in writing and if otherwise shall not be binding upon Seller.

24. If any provisions of the Contract are unlawful or invalid by reason of any applicable statute or rule of Law, then such provision shall be severed from the rest of this Contract which shall remain valid and binding on the parties.

Index

Section

Bearings	88
Braided Hoses	72
Bore Pump Accessories	48
Capacitors	38
Dairy/Spray Nozzles	109
Electrical Accessories	35
Filtration	50
Float Switches & Level Control	8
Flow Switches & Flow Meters	29
Gaskets and Rubbers	78
Liquid Level Alarms	34
Liquid Sealants	87
Mechanical Seals	90
Motor Fans & Bushes	37
Motor Starters/Motor Overload Relays	33
Packing	84
Piston Pump Components	81
Pressure Gauges	42
Pressure Regulators	71
Pressure Switch Accessories	26
Pressure Switches	17
Pressure Tanks	52
Pressure Transducers	28
Pump Bases	57
Pump Controllers	13
Pump Manifolds	54
Threaded Flanges	56
Valves & Fittings	59

Product

3-Way Nipples	59
Adjustable Pump Controller	14
Anti Scale Elements	51
Auto Restart Pump Controller	13
Barrel Unions	59
Battery Powered Flow Meters	29
Bearings	88
Bore Caps	48
Bore Pump Manifolds	55
Braided Hose - ½" Stainless Steel	72
Braided Hose - ¾" Stainless Steel	72
Braided Hose - 1" Stainless Steel	73
Braided Hose - 1 ¼" Stainless Steel	74
Braided Hose - 1 ½" Stainless Steel	74

Braided Hose - 2" Stainless Steel	75
Braided Hose Gaskets	75
Brass Ball Valves	61
Brass Foot Valves	63
Brass Gate Valves	60
Brass Swing Check Valves	61
Brass Swing Check Valves - Brass Poppets	61
Brass Y Strainers	63
Bushes	37
Cable Gland	36
Cable Ties	35
Carbon Block Filter Elements	51
Circulator Pump Manifolds	55
Controlpress Pump Controller	16
Coupling Rubber Cones	80
CSA-90	80
DIN Flange Gaskets - 3mm - Natural Rubber	79
DIN Flange Gaskets - 4.5mm - EPDM Natural Rubber	79
DOL Motor Starters	33
Dual Check Valve	62
Dual Pump Manifolds	54
Duo Wafer Check Valves	63
Electromagnetic Flow Meter - No Display	30
Electromagnetic Flow Meter - With Display	30
Electronic Adjustable Pump Controller	14
F29 Electronic Flow Switches	32
F60 Electronic Flow Switch	32
Filter Housing Kits	50
Five Way Tees / Check Valves	60
Flange Gaskets - 3mm - Table D - Natural Rubber	78
Flange Gaskets - 4.5mm - Table D - EPDM	78
Flanged Rubber Bellows - Table E	65
Flexible Packing Extractors	86
Float Switch Accessories	12
Float Switches	8
Flow Switches	30
FS 5 Float Switch	11
Galvanised Foot Valves	65
Graphite Packing - 1m	85
Graphite Packing - 8m Roll	85
Heat Shrink Kit	36
Heavy Duty Washdown Gun	109
Horizontal Float Switch	11
Instant Adhesive	87
Insulation Tape	35
Jet Spray Gun	109
Jointing and Sealing Tape	35
Jointing Paste	87
Leather Pump Buckets	82
Liquid Level Alarms	34
Logicpress Pump Controllers	15
Lugged Butterfly Valves - Table E	64
Mascontrol Pump Controller	16
Mascontrol 3 Phase Pump Controller	16
Max & UltraMax Vertical Pressure Tanks	53

Maxiflow Regulators	71	Piggy Back Float Switches	10
MDR1 Pressure Switches	22	Piston Pump Kits	81
MDR2 Pressure Switches	22	Piston Pump Rubbers	81
MDR3 Accessories	26	Pleated Filter Elements	51
MDR3 Pressure Switches	23	Powered Flow Meters	29
MDR4 Accessories	26	Presscontrol Pump Controller	15
MDR4 Pressure Switches	23	Pressure Gauge 100mm Liquid Filled Lower Mount	44
MDR4 Pressure Switches Reverse Action	24	Pressure Gauge 50mm Lower Mount	42
MDR43 Accessories	27	Pressure Gauge 50mm Rear Mount	42
MDR43 Pressure Switches	24	Pressure Gauge 63mm Liquid Filled Lower Mount	43
MDR5 Accessories	27	Pressure Gauge 63mm Liquid Filled Rear Mount	44
MDR5 Pressure Switches	24	Pressure Gauge 63mm Lower Mount	43
MDR-F Pressure Switches - Fine Differential	25	Pressure Reduction Valve	62
Mechanical Seals Type N10	98	Pressure Relief Valves	65
Mechanical Seals Type N103	100	Pressure Switch Fittings	27
Mechanical Seals Type N104	100	Pressure Switches	17
Mechanical Seals Type N156	99	Pressure Transducers	28
Mechanical Seals Type N21 (Imperial)	102	PressureWave Vertical Pressure Tank/Vessels	52
Mechanical Seals Type N21 (Metric)	103	PressureWave Horizontal Pressure Tank/Vessels	52
Mechanical Seals Type N2100	106	PTFE Packing - 1m	84
Mechanical Seals Type N2100K	107	PTFE Packing - 8m Roll	84
Mechanical Seals Type N26	92	PTFE Thread Sealant	87
Mechanical Seals Type N3	93	Pump Base & Cover Sets	58
Mechanical Seals Type N32	99	Pump Controllers	13
Mechanical Seals Type N36B	99	PVC Shroud Adaptors	48
Mechanical Seals Type N3LU	93	Rojo Float Valves - 20L/Min	66
Mechanical Seals Type N3RD	93	Rojo Partfill Valves - 20L/Min	67
Mechanical Seals Type N502	108	Safety Relief Valves	66
Mechanical Seals Type N560	104	Series 9010 Float Switches	10
Mechanical Seals Type N560D	105	Single Pump Manifolds	54
Mechanical Seals Type N6	94	Stainless Steel Vertical Multistage Pump Bases	57
Mechanical Seals Type N7	95	Stainless Steel Screens	62
Mechanical Seals Type N8	96	Stainless Steel Wire Rope & Grip	49
Mechanical Seals Type N9	97	Standard Filter Elements	50
Mechanical Seals Type NG1	90	Stormwater Cap Washers	80
Mechanical Seals Type NG12	91	Submersible Electrical Cable - 100m Coil ONLY	48
Mechanical Seals Type NG13	92	SuperFlow Pressure Vessels	53
Mechanical Seals Type NR10	99	Teat Spray Guns	109
Mechanical Seals Type NU3	100	Thermal Cut-Out Protection	36
Mechanical Seals Type NU5	101	Threaded Flanges - DIN Standard	56
Megaflow Trough Valves - 200L/Min	67	Top Mount Float Switch	10
Modular Pump Control Panel Stand	57	Topaz Differential Valves - 200L/Min	69
Motor Fans	37	Topaz Industro Float Valves - 200L/Min	68
Motor Run Capacitors - Aluminium Case	41	Topaz Partfill Valves - 200L/Min	69
Motor Run Capacitors - Plastic Case	38	Topaz Trough Valves - 200L/Min	68
Motor Start Capacitors	39	Trailing Wire Flow Swtich	32
Multiple Way Tees	59	Triplex Pump Manifolds	54
Natural Rubber Insertion	80	Vertical Float Switch	11
Neoprene Pump Buckets	83	Vortex Bottom Fill Valves - 600L/Min	70
Non-Return Valve / Footvalves	60	Vortex Float Valves - 600L/Min	70
Nut & Tail Washers	79	Vortex Partfill Valves - 600L/Min	69
Oil Jointing Paper	80	Wafer Butterfly Valves	64
O-Ring Extractor Sets	86	Washable Screen Element	51
Packing Cutter Tools	85	Washdown Gun Accessories	109
Paddle Type Flow Switches	31	Water Level Indicators	70



**Boost
Sales & Smiles
with a visit from
our mobile
showroom**

Book your in-store activation today

Contact 1800 810 670 or visit southernpumping.com.au

*Conditions apply



SOUTHERN PUMPING

southernpumping.com.au • 1800 810 670